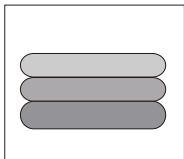




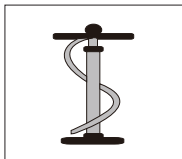
Aanbevolen druk  
Empfohlener Druck  
Recommended pressure  
**9 PSI**  
**0,62 BAR**

# SET UP INSTRUCTION FOR VIERA 320 EASY AIR

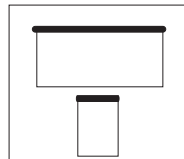
A Number: A504310



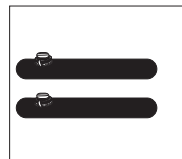
Flysheet



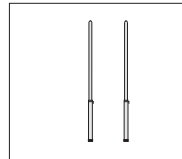
Pump/Gauge/Safety Valve



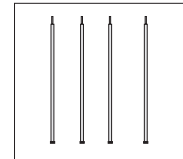
Draft Skirt/Wheel Cover



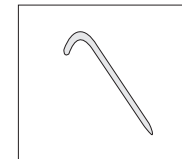
Storm Bar Pole x2



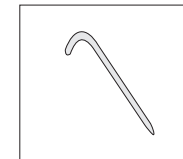
Rear Steel Pole x1set



Upright Steel Pole x2sets

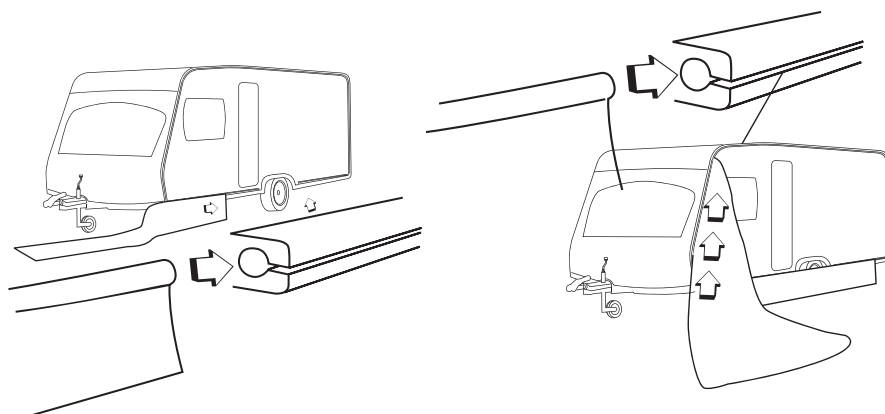


Peg 4.6mm\*23cm 34pcs

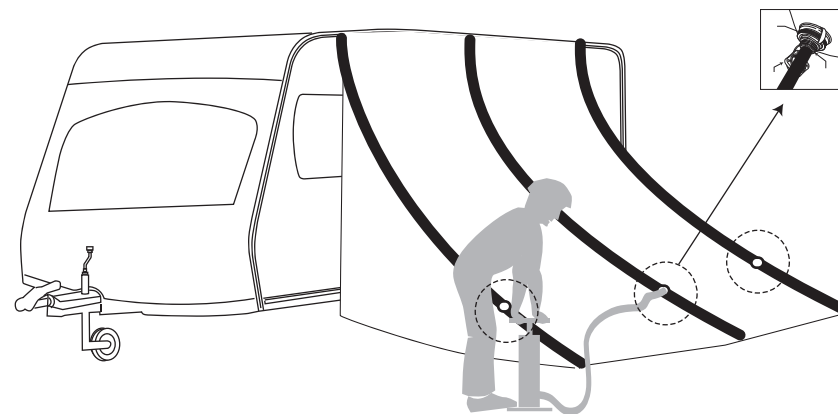


Peg 3.6mm\*17cm 6pcs

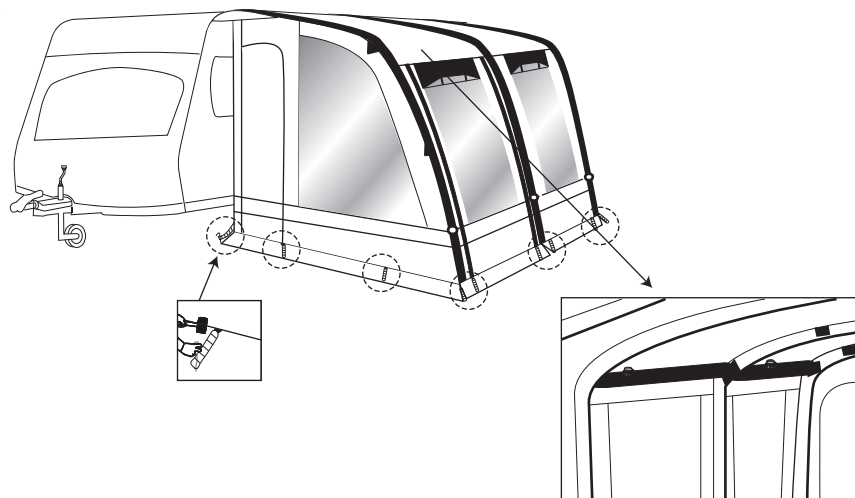
①



②



③



④

