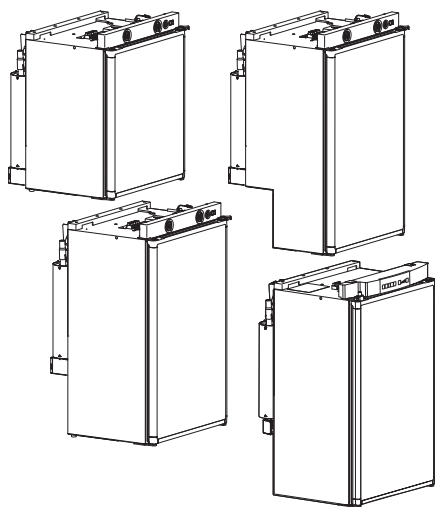


# ↗ DOMETIC REFRIGERATION 5 SERIES



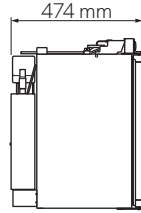
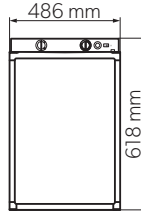
RM 5310, RM 5330, RM 5380, RM 5385

EN	<b>Absorber refrigerator</b> Installation Manual.....	16
DE	<b>Absorber-Kühlschrank</b> Montageanleitung.....	33
FR	<b>Réfrigérateur à absorption</b> Instructions de montage.....	49
NL	<b>Absorptiekoelkast</b> Montagehandleiding.....	66

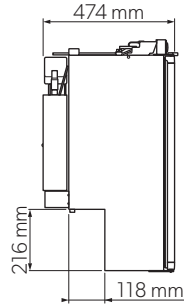
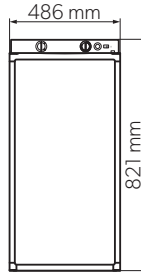


1

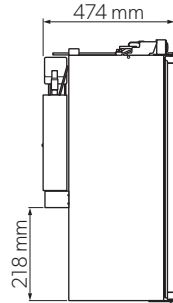
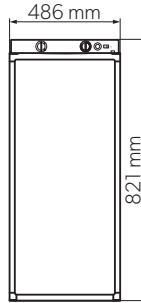
**RM 5310**



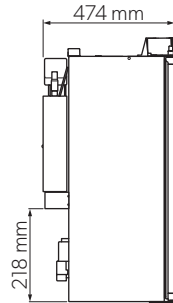
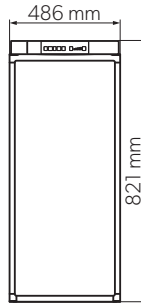
**RM 5330**

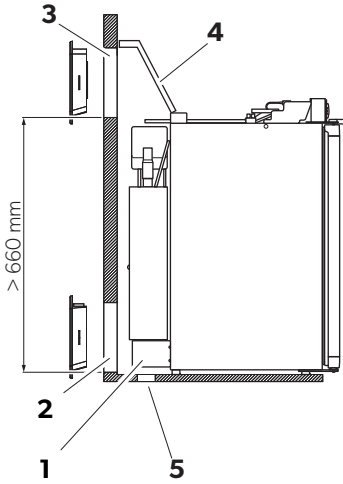
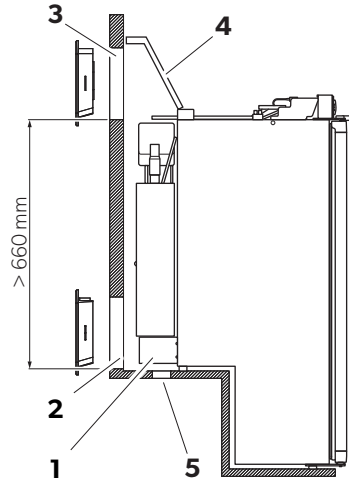
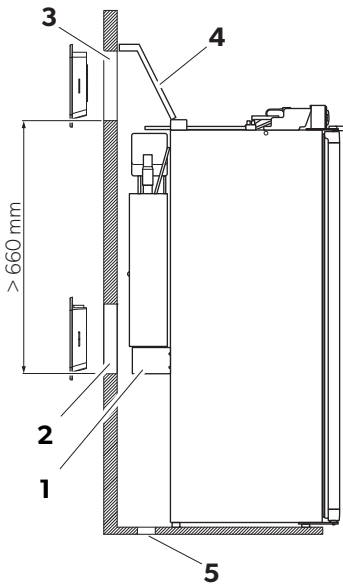
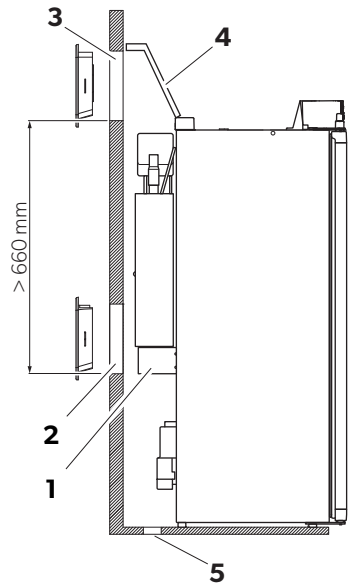


**RM 5380**

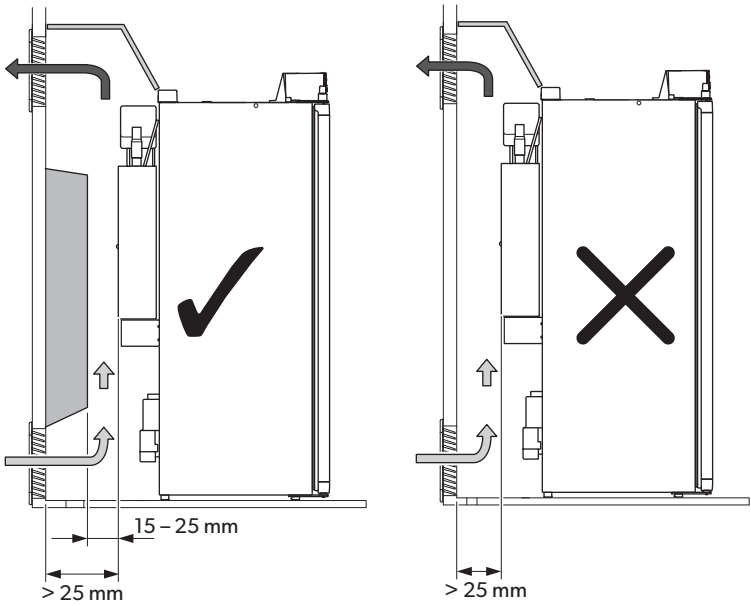


**RM 5385**

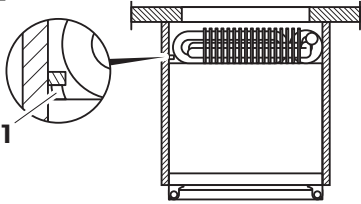


**2****RM 5310****RM 5330****RM 5380****RM 5385**

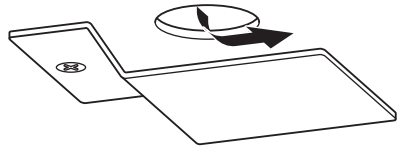
**3**

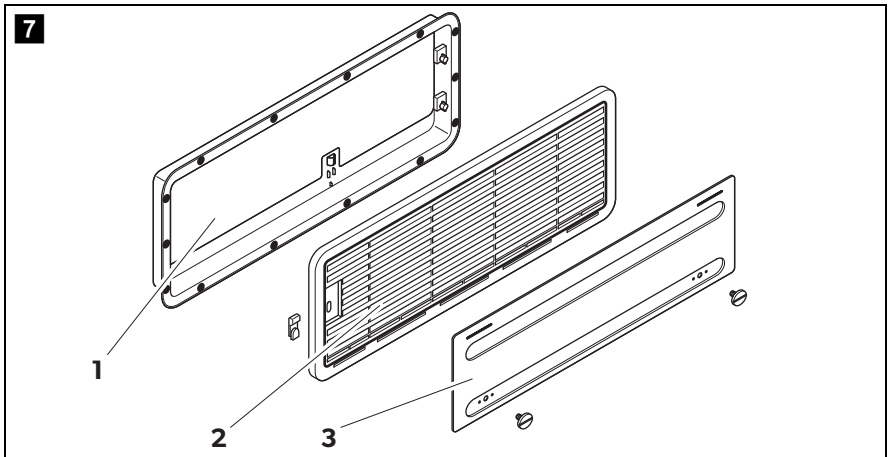
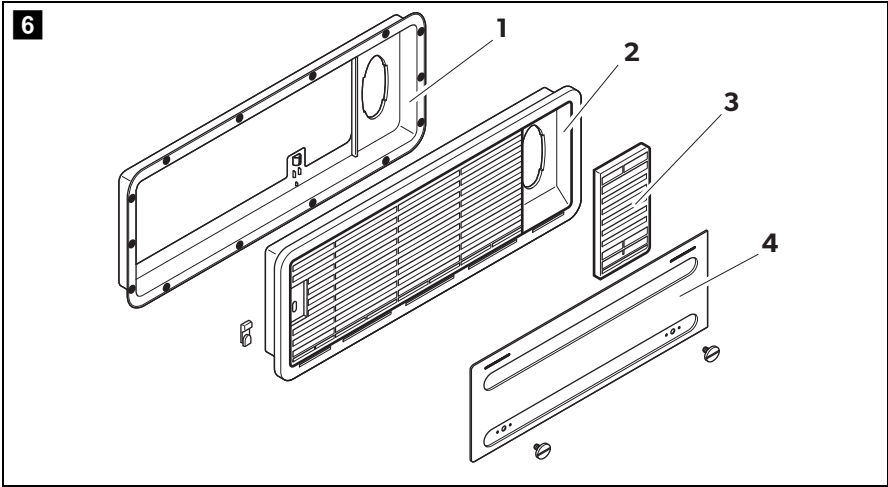


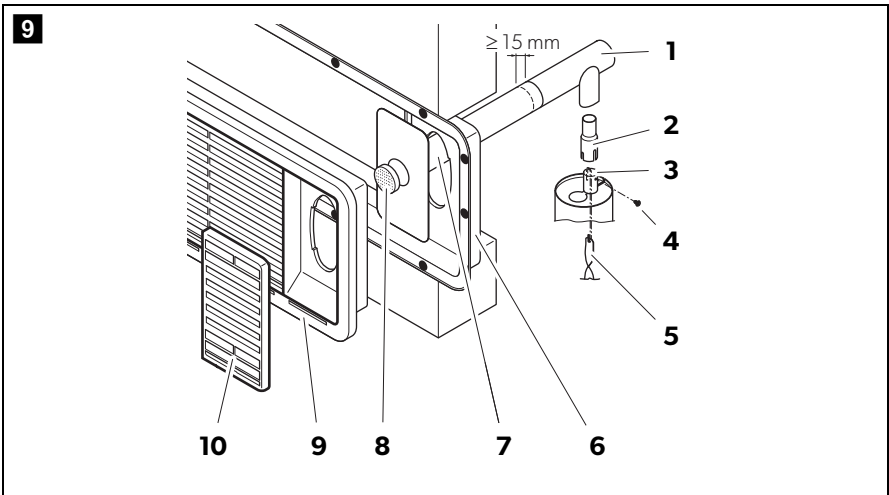
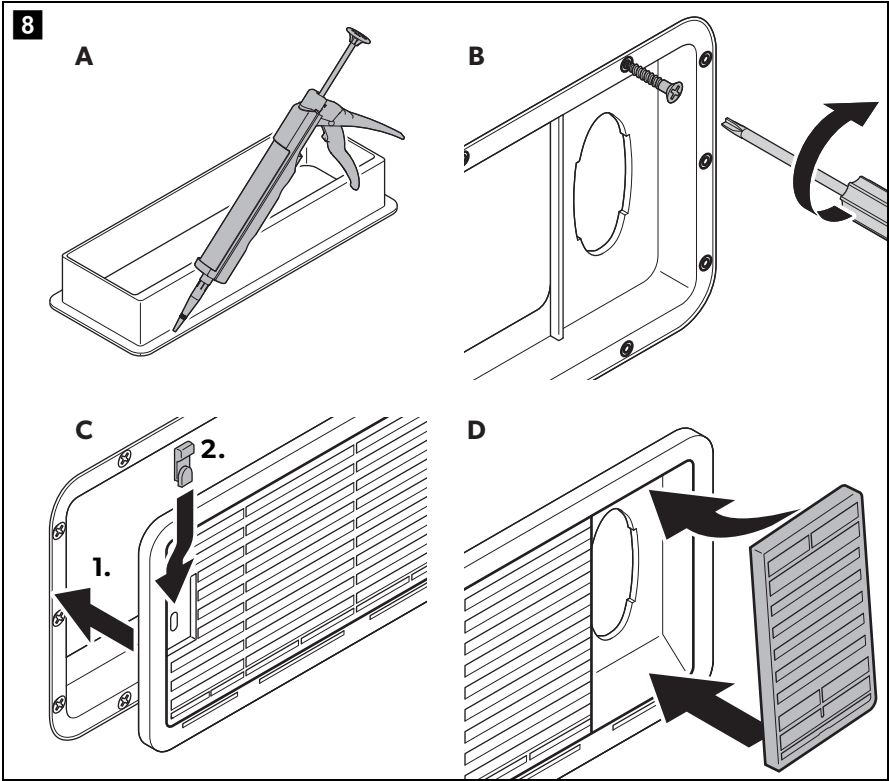
**4**



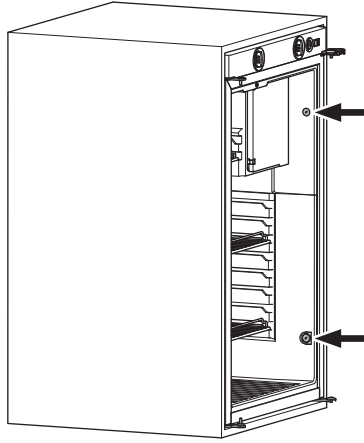
**5**



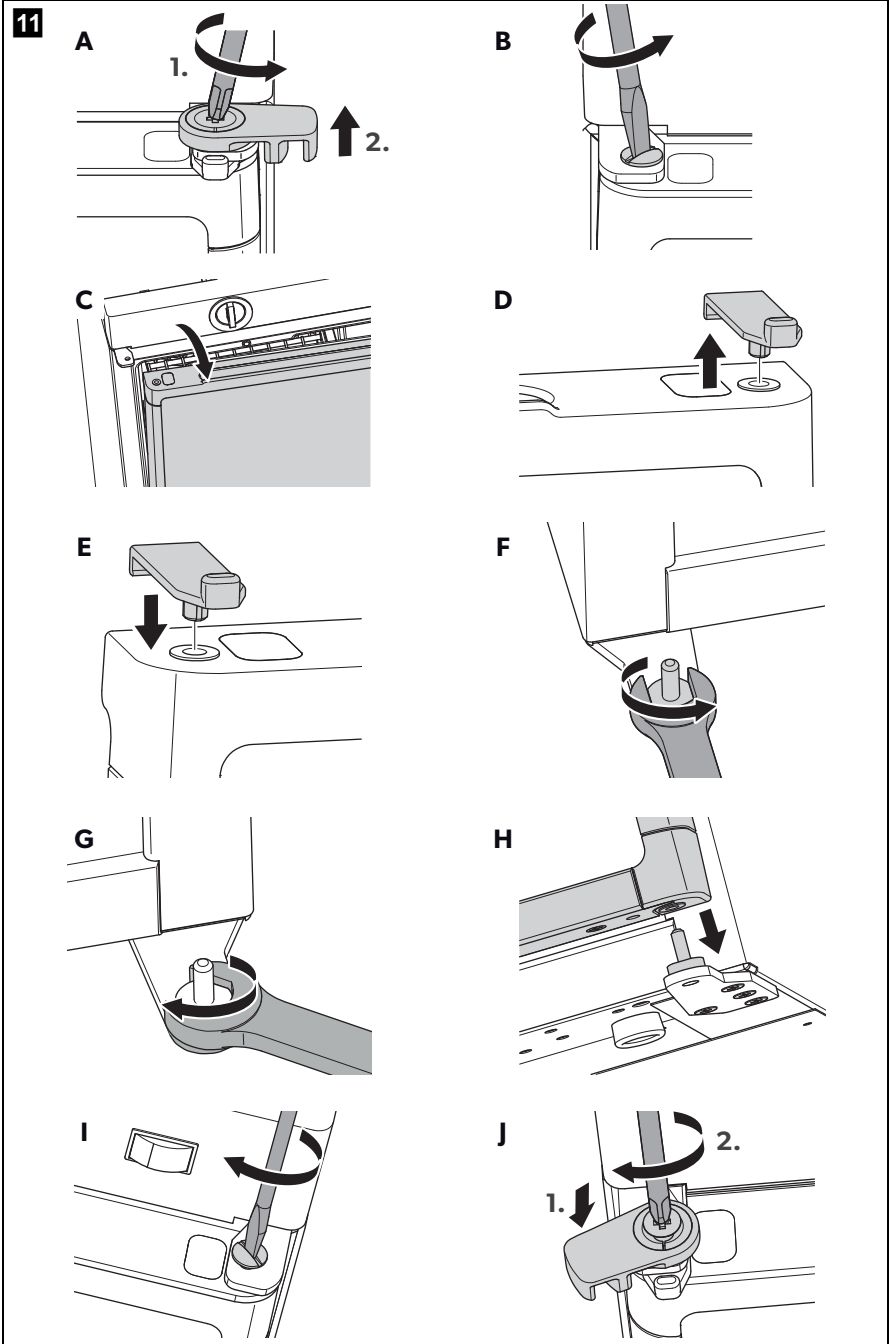


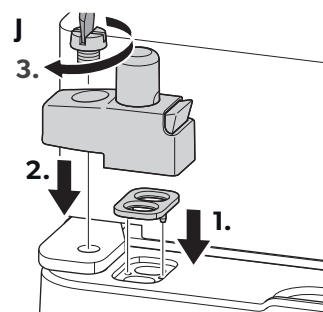
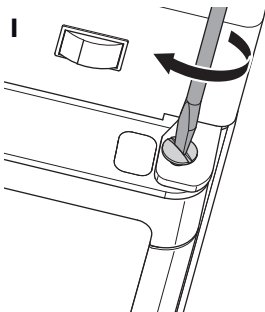
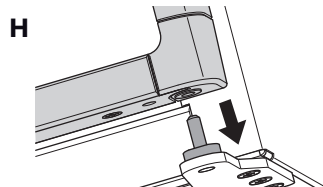
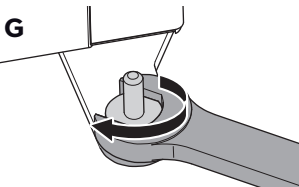
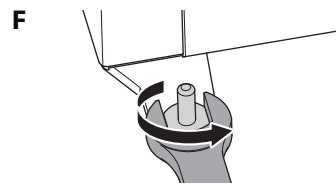
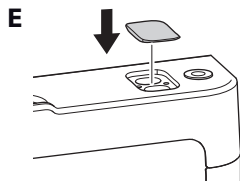
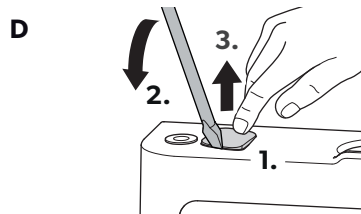
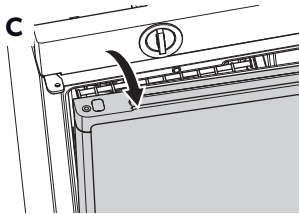
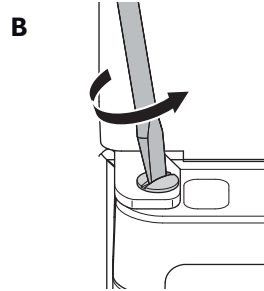
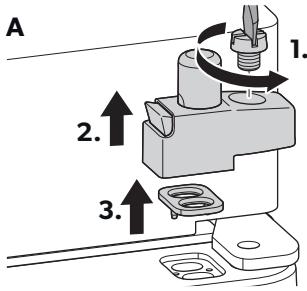


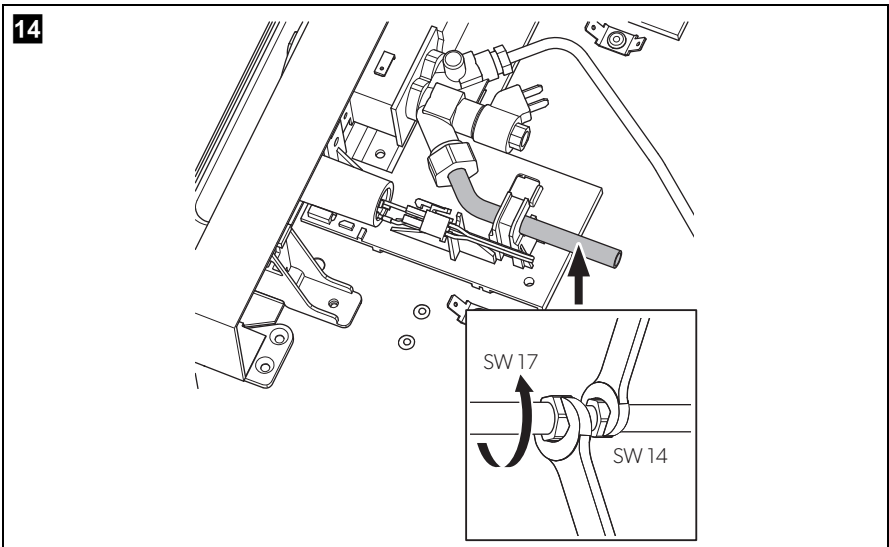
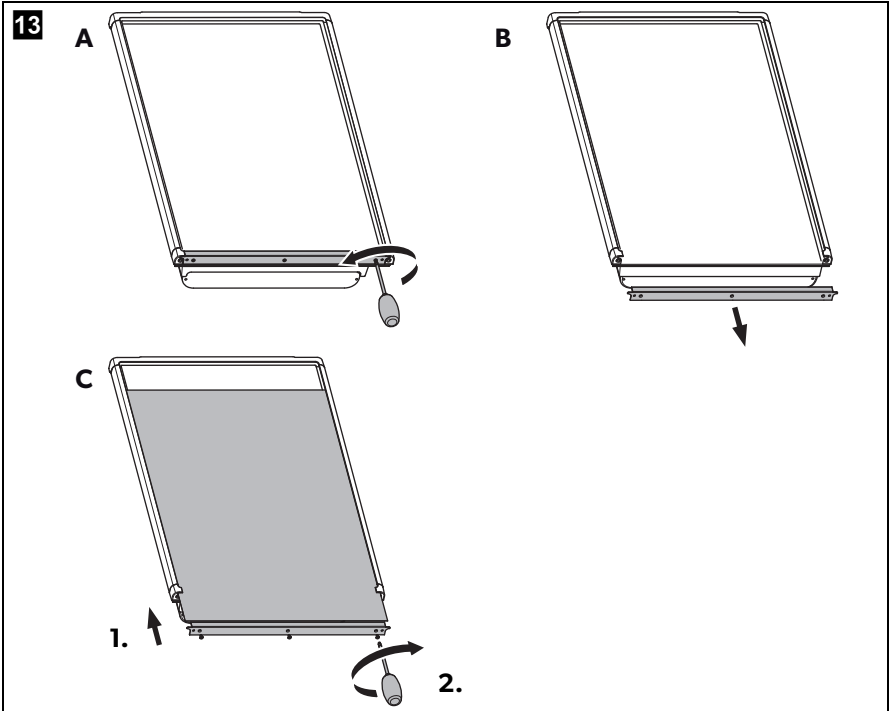
10



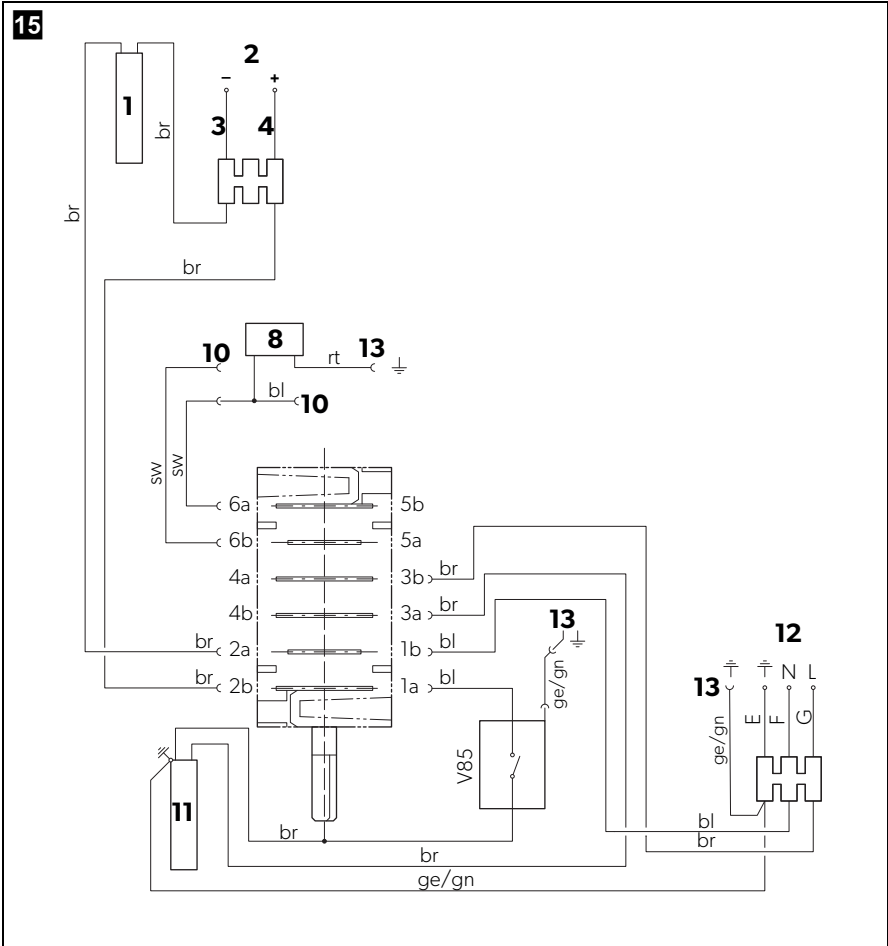




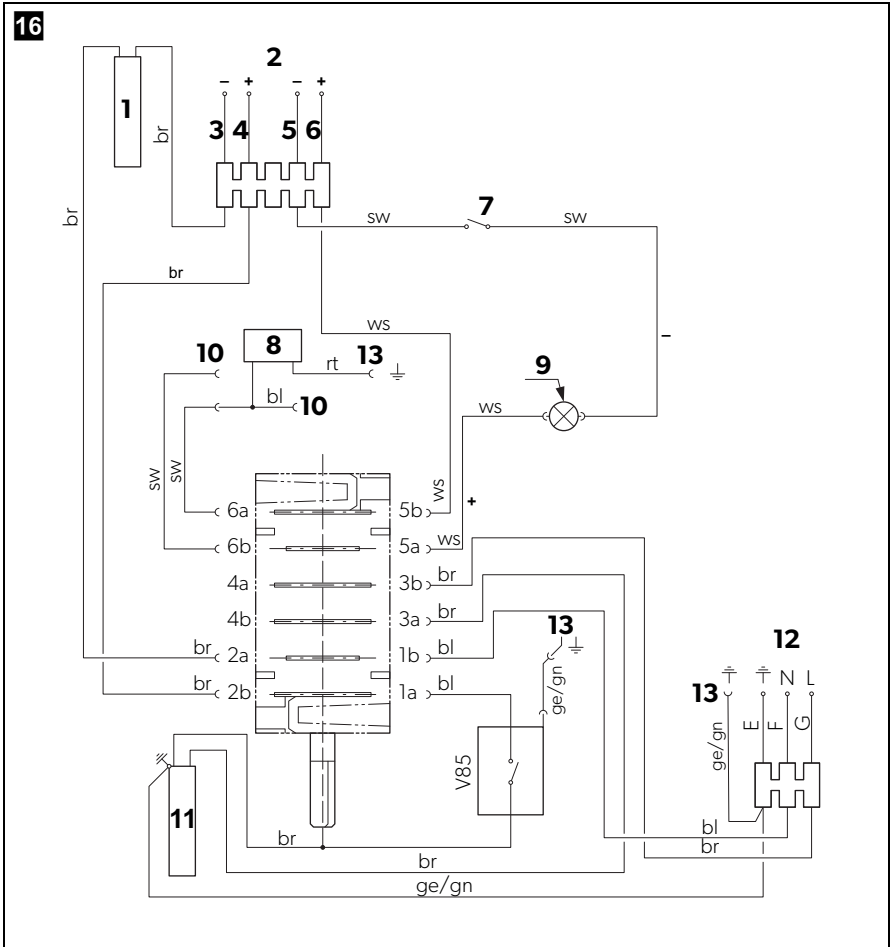
**12**



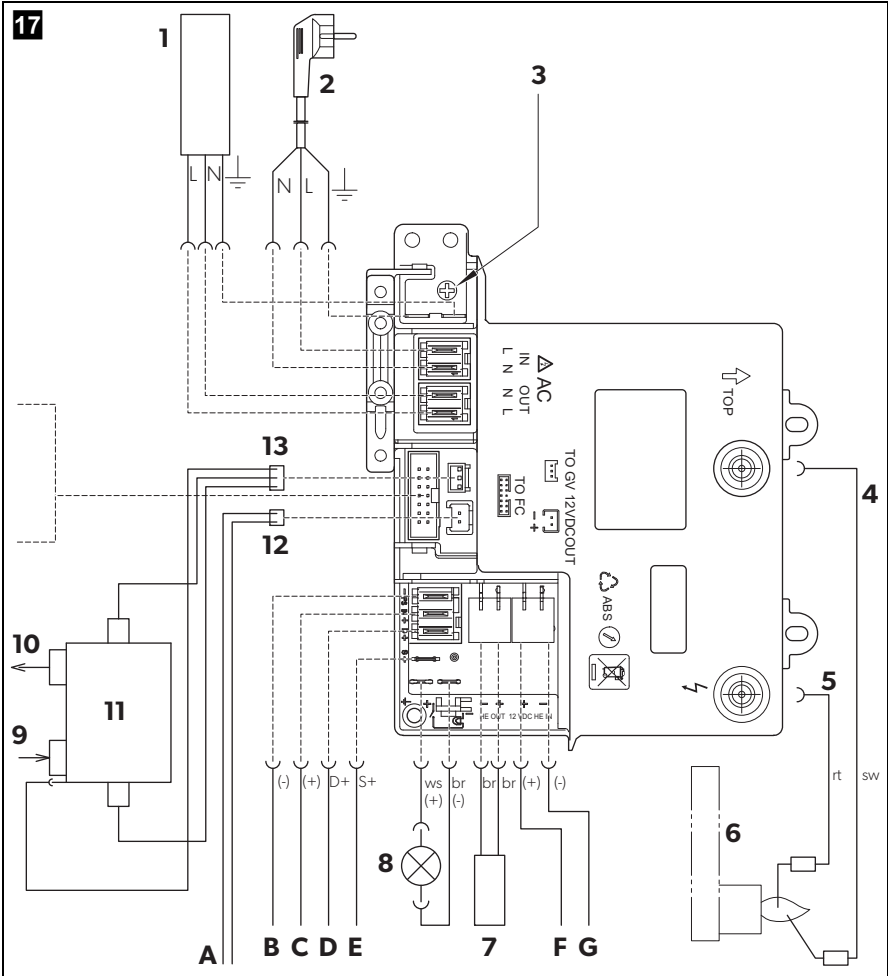
**15**



	<b>bl</b>	<b>br</b>	<b>ge</b>	<b>gn</b>	<b>rt</b>	<b>sw</b>
<b>EN</b>	Blue	Brown	Yellow	Green	Red	Black
<b>DE</b>	Blau	Braun	Gelb	Grün	Rot	Schwarz
<b>FR</b>	Bleu	Marron	Jaune	Vert	Rouge	Noir
<b>NL</b>	Blauw	Bruin	Geel	Groen	Rood	Zwart

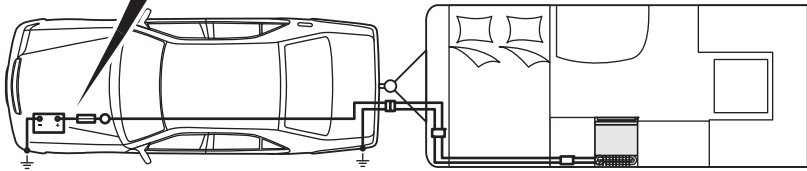
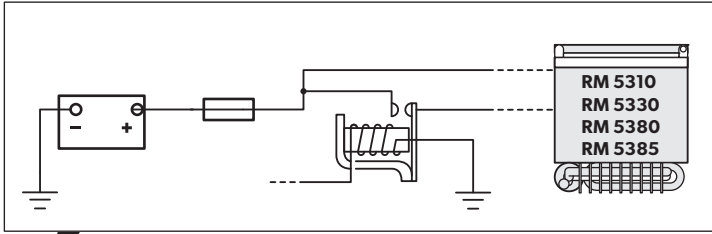


	<b>bl</b>	<b>br</b>	<b>ge</b>	<b>gn</b>	<b>rt</b>	<b>sw</b>	<b>ws</b>
<b>EN</b>	Blue	Brown	Yellow	Green	Red	Black	White
<b>DE</b>	Blau	Braun	Gelb	Grün	Rot	Schwarz	Weiß
<b>FR</b>	Bleu	Marron	Jaune	Vert	Rouge	Noir	Blanc
<b>NL</b>	Blauw	Bruin	Geel	Groen	Rood	Zwart	Wit



	<b>br</b>	<b>rt</b>	<b>sw</b>	<b>ws</b>
<b>EN</b>	Brown	Red	Black	White
<b>DE</b>	Braun	Rot	Schwarz	Weiß
<b>FR</b>	Marron	Rouge	Noir	Blanc
<b>NL</b>	Bruin	Rood	Zwart	Wit

18



**Please read this instruction manual carefully before installation and first use, and store it in a safe place. If you pass on the product to another person, hand over this instruction manual along with it.**

## Table of contents

1	Explanation of symbols . . . . .	17
2	Safety instructions . . . . .	17
3	Scope of delivery . . . . .	19
4	Accessories . . . . .	19
5	Intended use . . . . .	20
6	Installing the refrigerator . . . . .	20
7	Reversing the door . . . . .	25
8	Put on the door panel . . . . .	25
9	Connecting the refrigerator . . . . .	26
10	Cleaning and maintenance . . . . .	30
11	Warranty . . . . .	31
12	Disposal . . . . .	31
13	Technical data . . . . .	32



# 1 Explanation of symbols

**WARNING!**

**Safety instruction:** Failure to observe this instruction can cause fatal or serious injury.

**CAUTION!**

**Safety instruction:** Failure to observe this instruction can lead to injury.

**NOTICE!**

Failure to observe this instruction can cause material damage and impair the function of the product.

**NOTE**

Supplementary information for operating the product.

# 2 Safety instructions

The manufacturer accepts no liability for damage in the following cases:

- Faulty assembly or connection
- Damage to the product resulting from mechanical influences and excess voltage
- Alterations to the product without express permission from the manufacturer
- Use for purposes other than those described in the operating manual

**WARNING!**

- Never open the absorber unit. It is under high pressure and can cause injury if it is opened.
- Ensure clean and residue-free handling if silicon sealant or similar is used. There is a risk of fire if silicone filaments come into contact with hot parts or naked flames.
- Do not operate the refrigerator if it is visibly damaged.
- If the AC power cable for this refrigerator is damaged, it must be replaced by the manufacturer, customer service or a similarly qualified person in order to prevent safety hazards.
- Never use a naked flame to check the refrigerator for leaks.

- This refrigerator may only be repaired by qualified personnel. Inadequate repairs may cause serious hazards.
- Only use propane or butane gas (**not** natural gas).
- **Only operate the refrigerator** at the pressure shown on the type plate. Only use pressure controllers with a fixed setting which comply with the national regulations (in Europe EN 12864).
- Dismantle all refrigerator doors for the disposal of the old refrigerator and leave the shelves in the refrigerator to prevent accidental enclosure and suffocation.

**CAUTION!**

- Danger of crushing! Do not put your fingers into the hinge.
- Before starting the device, ensure that the power supply line and the plug are dry.

**NOTICE!**

- Only hold the refrigerator at the body of the refrigerator during transport. Never hold the refrigerator at the absorber unit, the cooling fins, the gas pipes, the door or the control panel.
- Make sure that the refrigerator circuit is not damaged during transportation. The refrigerant in the refrigerator circuit is highly flammable. In the event of any damage to the refrigerator circuit (smell of ammonia):
  - Switch off the refrigerator if applicable.
  - Avoid naked flames and sparks.
  - Air the room well.
- Do not install the refrigerator near naked flames or other heat sources (heaters, direct sunlight, gas ovens etc.).
- **Danger of overheating!**

Always ensure sufficient ventilation so that the heat generated during operation can dissipate. Make sure that the refrigerator is sufficiently far away from walls and other objects so that the air can circulate.
- Check that the voltage specification on the type plate is the same as that of the power supply.
- Do not open the refrigerant circuit under any circumstances.
- Only use the AC connection cable supplied to connect the refrigerator to the AC mains.
- Only use cables with a suitable size.
- Never pull the plug out of the socket by the connection cable.

- The refrigerator may not be exposed to rain.

### 3 Scope of delivery

- Refrigerator
- Caps
- Ice-cube tray
- Operating manual
- Installation manual

### 4 Accessories

Available as accessories (not included in the scope of delivery):

Description	Ref. no.
Fan kit	9105900007
LS100 ventilation grille with flue duct and winter cover	
White	9105900012
Beige	9105900011
LS200 ventilation grille without flue duct and winter cover	
White	9105900014
Beige	9105900013

If you have questions regarding the accessories, please contact your local service partner.

## 5 Intended use

The refrigerator is designed for installation in caravans or motorhomes. It is only suitable for cooling, freezing and storing foodstuffs. The refrigerator is not intended for the proper storage of medicine.

The refrigerator is designed to be operated on a DC power supply and an AC socket and can be powered by liquid gas (propane or butane). The refrigerator may **not** be run on natural gas or city gas. The RM5385 refrigerator also always requires a permanent DC supply.

## 6 Installing the refrigerator

### 6.1 Preparing the installation

When installing the refrigerator, note the following:

- To enable the refrigerant to circulate properly, the refrigerator may not exceed an angle of 3°.  
Park the vehicle on a level surface with the help of a spirit level.
- The refrigerator must be installed so that it is easily accessible for service work, easy to de-install and install and can be easily removed from the vehicle.
- The distance between the refrigerator and the rear wall must be min. 15 mm – max. 25 mm (fig. **3**, page 5).
- The refrigerator must be installed in a recess so that it stands firm when the vehicle is in motion. Note the following dimensions here (H x W x D in mm, fig. **1**, page 3):
  - **RM5310**: 618 x 486 x 474
  - **RM5330**: 821 x 486 x 474
  - **RM5380**: 821 x 486 x 474
  - **RM5385**: 821 x 486 x 474
- The outer wall must be fitted with an air inlet vent (fig. **2** 2, page 4) and an outlet vent (fig. **2** 3, page 4) with ventilation grilles so that the heat generated can be easily released to the outside:
  - Air inlet vent: Fit the ventilation grille as flush as possible underneath the burner lid (fig. **2** 1, page 4) with a minimum cross-section of 250 cm<sup>2</sup>.
  - Outlet vent: fit above the refrigerator as far as possible. A ventilation grille with integrated flue duct can also be used here.
- If the ventilation grille of the air inlet vent cannot be installed flush to the ground, an additional inlet vent (fig. **2** 5, page 4) must be provided in the floor for releasing leaked gas.

- For the RM5380 and RM5385 refrigerators, an air inlet vent (fig. **2** 5, page 4) must always be installed in the floor.
- The air vents must not be covered by vehicle parts (such as an open door or by installing accessories such as bicycle racks) while operating.
- There must be sufficient space at the back of the refrigerator for the air to be able to circulate around the cooling element.
- Fit a heat conduction plate (fig. **2** 4, page 4) above the refrigerator so that the heat does not accumulate in the vehicle.
- Install the refrigerator so that it is protected from excessive heat, as this leads to poor performance and increases the power consumption of the refrigerator.
- The electrical installation must comply with national and local regulations. European standards: EN 60335-1, EN 60335-2-24, EN 1648-1 and EN 1648-2.
- The gas installation must comply with national and local regulations. European standard: EN 1949.
- The refrigerator must be installed in a draught-proof location in accordance with EN 1949, see chapter "Installing the refrigerator in a draught-proof location" on page 21.

## 6.2 Installing the refrigerator in a draught-proof location

Gas-powered refrigerators in caravans or motorhomes must be installed in a draught-free location according to EN 1949. This means that the combustion air is not extracted from the interior and the exhaust fumes are prevented from directly entering the living space.

A suitable seal must be fitted between the rear panel of the refrigerator and the interior of the vehicle.



### **WARNING! Fire hazard!**

Do not use flammable materials such as silicone sealants, foam or similar for the draught-proof installation.

The manufacturer recommends using a flexible seal to ease removal and installation for maintenance purposes.

- Attach the sealing lips (fig. **4** 1, page 5) to a stop rail behind the refrigerator, for example, by using an adhesive.
- When installing, push the refrigerator against the stop rails with the sealing lips. This then seals the space behind the refrigerator to the interior of the vehicle.

## 6.3 Creating the air vents



### NOTE

At high ambient temperatures, the refrigerator can only provide its maximum cooling capacity if the optimum ventilation has been provided.

- Make an air inlet vent and an air outlet vent in the outer wall with the size of 451 mm x 156 mm. When doing so, observe the information, see chapter "Preparing the installation" on page 20.

If the ventilation grille of the air inlet vent cannot be installed flush with the floor of the niche, you need to install an inlet vent in the floor:

- Make an air inlet vent in the floor (fig. **2** 4, page 4) behind the refrigerator near the gas burner with a diameter of at least 40 mm. The vent pipe must lead directly outside. This allows leaking unburned gas to escape outside.
- Shield the end of the opening with a deflector to prevent sludge or dirt from getting inside while driving (fig. **5**, page 5).

## 6.4 Installing the ventilation grille

### LS100

No. in fig. <b>6</b> , page 6	Description
1	Installation frame
2	Ventilation grille
3	Attachment for flue duct
4	Winter cover

### LS200

No. in fig. <b>7</b> , page 6	Description
1	Installation frame
2	Ventilation grille
3	Winter cover

Proceed as follows (fig. **8**, page 7):

- ▶ Ensure the installation frame is water resistant **(A)**.
- ▶ Insert the installation frame and screw it down tightly **(B)**.
- ▶ Insert the ventilation grille and lock it in place **(C)**.

#### For LS100 only

- ▶ Insert the attachment for the flue duct **(D)**.

## 6.5 Installing the flue duct

Proceed as follows (fig. **9**, page 7):

- ▶ Place the T-piece (**1**) on the adaptor (**2**) and the flue pipe (**3**).
- ▶ Attach the T-piece, adaptor and flue pipe with a screw (**4**).
- ▶ Make sure that the heat distributor (**5**) is fitted in its intended position.
- ▶ Insert the flue duct with the cover plate (**7**) through the intended opening in the installation frame (**6**).
- ▶ Connect the flue duct and the cover plate with the T-piece (**1**).
- ▶ Shorten the flue duct (**7**) to the correct length if necessary.
- ▶ Place the LS 100 ventilation grille (**9**) in the installation frame (**6**) and lock it into place.
- ▶ Insert the cover cap (**8**) onto the flue pipe (**7**).
- ▶ Place the attachment for the flue duct (**10**) in the ventilation grille (**9**).

## 6.6 Securing the refrigerator



### CAUTION!

Only drill through the receptacles provided, otherwise foamed components, including cables, can be damaged.



### NOTE

Attach the side walls or the attached strips so that the screws are tight, even when under increased loads (while driving).

- ▶ Move the refrigerator into its final location.
- ▶ Fasten the four screws through the four plastic washers in the sides of the refrigerator (fig. **10**, page 8), and further into the wall.



## 7 Reversing the door

### Rotary door lock

- Replace the door as shown (fig. **11**, page 9).

### 2-button door lock

- Replace the door as shown (fig. **12**, page 10).

## 8 Put on the door panel



### **NOTICE! Beware of damage**

Only ever lay the refrigerator on its side and never on its back. Otherwise the unit may be damaged.

The door panel must have the following dimensions:

- **RM 5310:** 534 x 455 x max. 3 – 3.8 (H x W x D in mm)
  - **RM 5330/RM 5380/RM 5385:** 740 x 455 x max. 3 – 3.8 (H x W x D in mm)
- Put on the door panel as shown (fig. **13**, page 11).

## 9 Connecting the refrigerator

### 9.1 Connecting to the gas supply



#### NOTICE!

- This refrigerator may only be connected to the gas supply by a specialist in accordance with the applicable guidelines and standards.
- Only use cylinders of propane or butane gas (not natural gas or city gas) with an approved pressure reduction valve and suitable head. Compare the pressure information on the type plate with the pressure information on the pressure regulator on the propane or butane gas cylinder.
- **Only** operate the refrigerator at the pressure shown on the type plate.
- Please note the pressures which are permitted in your country. Use a DIN-DVGW-approved pressure regulator with a fixed setting:
  - The following applies for Germany: DIN EN 12864
  - The following applies for Europe: EN 732 and EN 1949



#### NOTE

The refrigerator is equipped for a connection pressure of 30 mbar. Use a Truma VDR 50/30 back-pressure regulator when connected to a 50 mbar system.

It must be possible to shut off the refrigerator from the gas line separately by means of a shut-off device. The shut-off device must be easily accessible.

- Connect the refrigerator to the gas supply securely and without any voltage according to fig. **14**, page 11.  
The following applies for Europe: Use a cutting ring fitting in accordance with EN 1949.  
A hose connection is not permitted.
- Have a leak test and a flame test performed in accordance with EN 1949 by an authorised specialist.  
Ensure you are issued with a certificate of inspection.

## 9.2 Connecting to 12 V $\text{---}$ and 230 V $\sim$



### NOTICE!

- The electrical installation and repairs may only be performed by a specialist in accordance with the applicable regulations and standards.
- According to EN 1648-1, the respective negative and positive cables of the DC connections for heating and lighting may not be joined with one another in a caravan. This can cause electrical interference or damage to electrical components.
- The inverter may only be connected by a specialist.



### NOTE

- The mains socket must be easily accessible so that you can unplug the power cord if required, thereby disconnecting the refrigerator from the power.
- The plug of the AC connection cable must not be cut off.
- The connection cables must be laid so that they do not come in contact with hot parts of the unit/burner or with sharp edges.
- Changes to the internal electrical installation or the connection of other electrical components (e.g. extra third party fans) to the internal wiring of the refrigerator will void the E1/CE approval and any claims from the guarantee and product liability.

- Connect the RM5310/RM5330/RM5380 refrigerators according to fig. **15**, page 12 (without lighting), and fig. **16**, page 13 (with lighting):

Item	Description
1	DC heating cartridge
2	DC connection cable
3	Terminal strip for the DC power supply of the heating cartridge

Item	Description
4	Positive cable of the heating cartridge
5	Earth cable of the heating cartridge
6	Positive cable of the lighting
7	Reed contact switch (sensor switch)
8	Galvanometer
9	LED lighting
10	Thermal power adapter
11	AC heating cartridge
12	AC power connection cable
13	Housing earth (upper section)

- Connect the RM5385 refrigerator according to fig. **17**, page 14:

Item	Description
1	AC heating cartridge
2	AC power connection cable
3	Earth AC power
4	Ionisation
5	Ignition
6	Burner
7	DC heating cartridge
8	LED lighting
9	Gas input
10	Gas output

Item	Description
11	Gas valve
12	DC power outlet
13	Gas valve supply line
A	Optional connections to DC power outlet
B	Negative terminal (-) DC permanent supply for electronics
C	Positive terminal (+) DC permanent supply for electronics
D	Connection D+
E	Connection S+
F	Positive cable of the heating cartridge
G	Earth cable of the heating cartridge

### AC power

- Connect the refrigerator with the mains plug to an AC socket.

### DC power

Please note the following cable sizes:

- < 6 m (interior): 4 mm<sup>2</sup>
  - > 6 m (interior): 6 mm<sup>2</sup>
  - Connections D+ and S+: 1 mm<sup>2</sup>
  - Cable fed via drawbar (caravans only): 2,5 mm<sup>2</sup>
- Secure the power supply line to the heating element (connections **3** and **4**) with a 15 A fuse and the supply for lighting/electronics (connections **5** and **6**) with a 2 A fuse.
  - Connect the heating element (connections **3** and **4**) with the shortest possible cable.
  - Run the cable to the heating element (connections **3** and **4**) via a relay controlled by an ignition socket to prevent the vehicle battery from completely discharging if the engine is switched off accidentally (fig. **18**, page 15).
  - **RM5385 only:** Connect a DC permanent supply to the connection for lighting/electronics (connections **5** and **6**).

### D+ (RM5385 only)

In automatic mode, the refrigerator selects the most favourable mode available. The refrigerator is only operated with direct current when the vehicle engine is running. The electronics of the refrigerator uses the signal D+ from the light system to detect the running engine.

- Connect the D+ connection to the controls (fig. 17 D, page 14) with the respective terminal of the vehicle.

### S+ (RM5385 only)

In automatic mode, the refrigerator is first powered with DC power from the vehicle's own solar system. The refrigerator electronics uses the S+ signal of the solar charge controller to detect a solar system. The solar charge controller must have an AES output.

- Connect the S+ connection on the controller (fig. 17 E, page 14) to the respective terminal of the solar charge controller.

Suitable solar charge controllers are available from specialist dealers.

The manufacturer recommends, for example:

- Büttner MT 300-S  
([www.buettner-elektronik.de](http://www.buettner-elektronik.de))
- Votronic MPP 240 Duo Digital  
([www.votronic.de](http://www.votronic.de))

## 10 Cleaning and maintenance



### WARNING!

Always disconnect the refrigerator from the mains before you clean and service it.



### NOTICE! Beware of damage

- Do not allow grease or oil to come into contact with the door seal.
- Do not use abrasive cleaning agents or hard objects during cleaning as these can damage the refrigerator.

- Occasionally clean the refrigerator interior and exterior with a damp cloth.
- Make sure that the air vents on the refrigerator are free of any dust and dirt so that heat can be released and the refrigerator is not damaged.

## 11 Warranty

The statutory warranty period applies. If the product is defective, please contact your retailer or the manufacturer's branch in your country (see the warranty booklet for the addresses).

For repair and guarantee processing, please include the following documents when you send in the device:

- a copy of the receipt with purchasing date
- a reason for the claim or description of the fault



## 12 Disposal

- Place the packaging material in the appropriate recycling waste bins wherever possible.



If you wish to finally dispose of the product, ask your local recycling centre or specialist dealer for details about how to do this in accordance with the applicable disposal regulations.

# 13 Technical data

	RM5310	RM5330	RM5380	RM5385
Voltage:	230 V~ 12 V===			
Gross capacity:	60 l	70 l	80 l	80 l
Net capacity:	55 l	65 l	75 l	75 l
Connection value:	125 W (230 V~) 120 W (12 V===) 18.3 g/h (gas)			
Ice compartment:	5 l			
Power consumption:	2.5 kWh/24 h (230 V) 240 Ah/24 h (12 V)			
Gas consumption:	270 g/24 h			
Climatic class:	SN			
Ambient temperature:	+10 °C to +32 °C			
Ignition:	Manual	Manual	Manual	Automatic
Power choice:	Manual	Manual	Manual	Automatic
Dimensions:	fig. <b>1</b> , page 3			
Weight:	20 kg	22 kg	24 kg	23 kg
Inspection/certification:	  10R-047358			



**Bitte lesen Sie diese Anleitung vor Einbau und Inbetriebnahme sorgfältig durch und bewahren Sie sie auf. Geben Sie sie im Falle einer Weitergabe des Produktes an den Nutzer weiter.**

## Inhaltsverzeichnis

1	Erklärung der Symbole .....	34
2	Sicherheitshinweise .....	34
3	Lieferumfang .....	36
4	Zubehör .....	36
5	Bestimmungsgemäßer Gebrauch .....	37
6	Kühlschrank einbauen .....	37
7	Türanschlag wechseln .....	41
8	Türdekor einsetzen .....	42
9	Kühlschrank anschließen .....	42
10	Reinigung und Pflege .....	47
11	Gewährleistung .....	47
12	Entsorgung .....	47
13	Technische Daten .....	48

# 1 Erklärung der Symbole

**WARNUNG!**

**Sicherheitshinweis:** Nichtbeachtung kann zu Tod oder schwerer Verletzung führen.

**VORSICHT!**

**Sicherheitshinweis:** Nichtbeachtung kann zu Verletzungen führen.

**ACHTUNG!**

Nichtbeachtung kann zu Materialschäden führen und die Funktion des Produktes beeinträchtigen.

**HINWEIS**

Ergänzende Informationen zur Bedienung des Produktes.

# 2 Sicherheitshinweise

Der Hersteller übernimmt in folgenden Fällen keine Haftung für Schäden:

- Montage- oder Anschlussfehler
- Beschädigungen am Produkt durch mechanische Einflüsse und Überspannungen
- Veränderungen am Produkt ohne ausdrückliche Genehmigung vom Hersteller
- Verwendung für andere als die in der Anleitung beschriebenen Zwecke

**WARNUNG!**

- Öffnen Sie niemals das Absorberaggregat. Es steht unter hohem Druck und kann Verletzungen verursachen, wenn es geöffnet wird.
- Achten Sie auf eine saubere und rückstandsfreie Verarbeitung, wenn Silikon-Dichtungsmasse o. Ä. verwendet wird. Kommen Silikonfäden mit heißen Teilen oder offenen Flammen in Berührung, besteht Brandgefahr.
- Wenn der Kühlschrank sichtbare Beschädigungen aufweist, dürfen Sie ihn nicht in Betrieb nehmen.

- Wenn das Wechselstrom-Anschlusskabel dieses Kühlschranks beschädigt wird, muss es durch den Hersteller, seinen Kundendienst oder eine ähnlich qualifizierte Person ersetzt werden, um Gefährdungen zu vermeiden.
- Prüfen Sie den Kühlschrank niemals mit einer offenen Flamme auf Undichtigkeit.
- Reparaturen an diesem Kühlschrank dürfen nur von Fachkräften durchgeführt werden. Durch unsachgemäße Reparaturen können erhebliche Gefahren entstehen.
- Verwenden Sie nur Propan- oder Butangas (**kein** Erdgas).
- Der Kühlschrank darf **ausschließlich** mit dem auf dem Typenschild angegebenen Druck betrieben werden. Verwenden Sie nur fest-eingestellte Druckregler, die den nationalen Vorschriften entsprechen (in Europa EN 12864).
- Demontieren Sie alle Kühlschranktüren bei Entsorgung des Altkühlschranks und belassen Sie die Ablagen im Kühlschrank, um ein versehentliches Einschließen und Ersticken zu verhindern.



### VORSICHT!

- Quetschgefahr! Fassen Sie nicht in das Scharnier.
- Achten Sie vor der Inbetriebnahme darauf, dass Zuleitung und Stecker trocken sind.



### ACHTUNG!

- Halten Sie den Kühlschrank beim Transport nur am Kühlschrankkorpus fest. Halten Sie den Kühlschrank niemals am Absorberaggregat, den Kühlrippen, den Gasleitungen, der Tür oder der Bedienblende fest.
- Achten Sie beim Transport darauf, den Kühlkreislauf nicht zu beschädigen. Das Kältemittel im Kühlkreislauf ist leicht entflammbar. Bei einer Beschädigung des Kühlkreislaufs (Ammoniakgeruch):
  - Schalten Sie gegebenenfalls den Kühlschrank aus.
  - Vermeiden Sie offenes Feuer und Zündfunken.
  - Lüften Sie den Raum gut.
- Bauen Sie den Kühlschrank nicht in der Nähe von offenen Flammen oder anderen Wärmequellen (Heizung, Gasöfen usw.) ein.
- **Überhitzungsgefahr!**  
Achten Sie stets darauf, dass beim Betrieb entstehende Wärme ausreichend abgeführt werden kann. Sorgen Sie dafür, dass der Kühlschrank in ausreichendem Abstand zu Wänden oder Gegenständen steht, sodass die Luft zirkulieren kann.

- Vergleichen Sie die Spannungsangabe auf dem Typenschild mit der vorhandenen Energieversorgung.
- Öffnen Sie auf keinen Fall den Kühlkreislauf.
- Schließen Sie den Kühlschrank nur mit dem zugehörigen Wechselstrom-Anschlusskabel an die Wechselstromsteckdose an.
- Verwenden Sie nur Kabel mit passendem Leitungsquerschnitt.
- Ziehen Sie den Stecker nie am Anschlusskabel aus der Steckdose.
- Der Kühlschrank darf keinem Regen ausgesetzt werden.

### 3 Lieferumfang

- Kühlschrank
- Abdeckkappen
- Eiswürfelschale
- Bedienungsanleitung
- Montageanleitung

### 4 Zubehör

Als Zubehör erhältlich (nicht im Lieferumfang enthalten):

Bezeichnung	Artikel-Nr.
Lüfterkit	9105900007
Lüftungsgitter LS100, mit Abgasführung und Winterabdeckung	
weiß	9105900012
beige	9105900011
Lüftungsgitter LS200, ohne Abgasführung, mit Winterabdeckung	
weiß	9105900014
beige	9105900013

Bei Fragen zu Zubehör wenden Sie sich bitte an Ihren Service-Partner.

## 5 Bestimmungsgemäßer Gebrauch

Der Kühlschrank ist für den Einbau in Wohnwagen oder Wohnmobile ausgelegt. Er eignet sich ausschließlich zum Kühlen, Gefrieren und Lagern von Lebensmitteln. Der Kühlschrank ist nicht für die fachgerechte Lagerung von Medikamenten vorgesehen.

Der Kühlschrank ist für den Betrieb am Gleichstromnetz und an einer Wechselstromsteckdose ausgelegt und kann mit Flüssiggas (Propan oder Butan) betrieben werden. Der Kühlschrank darf **nicht** mit Erdgas oder Stadtgas betrieben werden. Der Kühlschrank RM5385 benötigt zusätzlich immer eine Gleichstrom-Dauerversorgung.

## 6 Kühlschrank einbauen

### 6.1 Einbau vorbereiten

Beachten Sie bei der Montage des Kühlschranks folgende Hinweise:

- Damit das Kältemittel ordnungsgemäß zirkulieren kann, darf der Kühlschrank einen Neigungswinkel von 3° nicht überschreiten.  
Stellen Sie hierzu das Fahrzeug mit Hilfe einer Wasserwaage waagrecht ab.
- Der Kühlschrank muss so eingebaut werden, dass er für Servicearbeiten gut zugänglich ist, leicht aus- und eingebaut und ohne großen Aufwand aus dem Fahrzeug entnommen werden kann.
- Der Abstand zwischen Kühlschrank und Rückwand muss min. 15 mm – max. 25 mm betragen (Abb. **3**, Seite 5).
- Der Kühlschrank muss in eine Nische eingebaut werden, damit er bei Bewegung des Fahrzeugs fest steht. Beachten Sie hierzu folgende Abmessungen (H x B x T in mm, Abb. **1**, Seite 3):
  - **RM5310**: 618 x 486 x 474
  - **RM5330**: 821 x 486 x 474
  - **RM5380**: 821 x 486 x 474
  - **RM5385**: 821 x 486 x 474
- In der Außenwand muss eine Belüftungsöffnung (Abb. **2** 2, Seite 4) und eine Entlüftungsöffnung (Abb. **2** 3, Seite 4) mit Lüftungsgitter vorgesehen werden, damit die entstehende Wärme gut nach außen abgegeben werden kann:
  - Belüftungsöffnung: Lüftungsgitter möglichst bündig zur Unterseite der Brennerabdeckung (Abb. **2** 1, Seite 4) mit einem Querschnitt von mindestens 250 cm<sup>2</sup>.
  - Entlüftungsöffnung: möglichst oberhalb des Kühlschranks. Hier kann auch ein Lüftungsgitter mit integrierter Abgasführung verwendet werden.

- Falls das Lüftungsgitter der Belüftungsöffnung nicht bündig zum Boden eingebaut werden kann, muss zusätzlich eine Belüftungsöffnung (Abb. **2** 5, Seite 4) im Fußboden zum Abführen von ausgetretenem Gas vorgesehen werden.
- Für die Kühlschränke RM5380 und RM5385 muss immer eine Belüftungsöffnung (Abb. **2** 5, Seite 4) im Fußboden vorgesehen werden.
- Die Lüftungsöffnungen dürfen im Betrieb nicht durch Fahrzeugteile abgedeckt werden (z. B. geöffnete Tür oder durch den Anbau von Zubehör wie Fahrradträger).
- An der Rückseite des Kühlschranks muss ausreichend Raum vorhanden sein, damit die Luft um das Kühlelement zirkulieren kann.
- Sehen Sie oberhalb des Kühlschranks ein Wärmeleitblech vor (Abb. **2** 4, Seite 4), damit sich die Wärme nicht im Fahrzeug staut.
- Installieren Sie den Kühlschrank geschützt gegen übermäßige Wärmeeinstrahlung, da diese zu Leistungseinbußen und erhöhtem Energieverbrauch des Kühlschranks führt.
- Die elektrische Installation muss nach den nationalen und örtlichen Vorschriften erfolgen.  
Europäische Normen: EN 60335-1, EN 60335-2-24, EN 1648-1 und EN 1648-2.
- Die Gas-Installation muss nach den nationalen und örtlichen Vorschriften erfolgen.  
Europäische Norm: EN 1949.
- Der Kühlschrank muss nach EN 1949 zugdicht eingebaut werden, siehe Kapitel „Kühlschrank zugdicht einbauen“ auf Seite 38.

## 6.2 Kühlschrank zugdicht einbauen

Gasbetriebene Kühlgeräte in Wohnwagen oder Wohnmobilen müssen nach EN 1949 zugdicht eingebaut werden. Das bedeutet, dass die Verbrennungsluft nicht dem Innenraum entnommen wird und die Abgase am direkten Eintritt in den Wohnraum gehindert werden.

Zwischen Rückwand des Kühlschranks und dem Innenraum des Fahrzeugs muss eine geeignete Abdichtung vorgesehen werden.



### **WARNUNG! Brandgefahr!**

Verwenden Sie zum zugdichten Einbau keine leicht entflammaren Materialien wie Silikon-Dichtungsmassen, Montageschaum oder Ähnliches.

Der Hersteller empfiehlt, eine flexible Dichtung zu verwenden, um den Aus- und Einbau für Wartungszwecke zu vereinfachen.

- Befestigen Sie die Dichtlippen (Abb. **4** 1, Seite 5) an einer Anschlagleiste hinter dem Kühlschrank, z. B. durch Kleben.
- Schieben Sie den Kühlschrank bei der Montage gegen die Anschlagleisten mit den Dichtlippen. Dadurch ist der Raum hinter dem Kühlschrank zum Innenraum des Fahrzeugs abgedichtet.

### 6.3 Lüftungsöffnungen herstellen



#### HINWEIS

Bei hohen Umgebungstemperaturen kann der Kühlschrank nur dann seine maximale Kühlleistung erbringen, wenn für eine optimale Be- und Entlüftung gesorgt ist.

- Fertigen Sie eine Belüftungs- und eine Entlüftungsöffnung in der Außenwand mit der Größe 451 mm x 156 mm an. Beachten Sie dabei die Hinweise, siehe Kapitel „Einbau vorbereiten“ auf Seite 37.

Falls das Lüftungsgitter der Belüftungsöffnung nicht bündig zum Boden der Einbaunische eingebaut werden kann, müssen Sie eine Belüftungsöffnung im Fußboden einbauen:

- Fertigen Sie hinter dem Kühlschrank im Bereich des Gasbrenners eine Belüftungsöffnung mit einem Durchmesser von mindestens 40 mm im Boden an (Abb. **2** 4, Seite 4). Das Belüftungsrohr muss direkt nach außen führen. So kann austretendes unverbranntes Gas nach außen entweichen.
- Schirmen Sie das Ende der Öffnung mit einem Ablenker ab, damit während der Fahrt kein Schlamm oder Dreck eindringen kann (Abb. **5**, Seite 5).

### 6.4 Lüftungsgitter montieren

#### LS100

Pos. in Abb. <b>6</b> , Seite 6	Bezeichnung
1	Einbaurahmen
2	Lüftungsgitter
3	Einsatz für Abgasführung
4	Winterabdeckung

**LS200**

Pos. in Abb. <b>7</b> , Seite 6	Bezeichnung
1	Einbaurahmen
2	Lüftungsgitter
3	Winterabdeckung

Gehen Sie wie folgt vor (Abb. **8**, Seite 7):

- Dichten Sie den Einbaurahmen wasserdicht ab (**A**).
- Setzen Sie den Einbaurahmen ein und schrauben Sie ihn fest (**B**).
- Setzen Sie das Lüftungsgitter ein und verriegeln Sie es (**C**).

**Nur bei LS 100**

- Setzen Sie den Einsatz für die Abgasführung ein (**D**).

**6.5 Abgasführung montieren**

Gehen Sie wie folgt vor (Abb. **9**, Seite 7):

- Setzen Sie das T-Stück (**1**) auf den Adapter (**2**) und auf das Abgasrohr (**3**)
- Fixieren Sie T-Stück, Adapter und Abgasrohr mit einer Schraube (**4**).
- Achten Sie darauf, dass der Heizverteiler (**5**) in der dafür vorgesehenen Position sitzt.
- Stecken Sie das Abgasrohr mit der Abdeckplatte (**7**) durch die dafür vorgesehene Öffnung des Einbaurahmens (**6**).
- Verbinden Sie Abgasrohr und Abdeckplatte mit dem T-Stück (**1**).
- Kürzen Sie das Abgasrohr (**7**) eventuell auf die richtige Länge.
- Setzen Sie das Lüftungsgitter LS100 (**9**) in den Einbaurahmen (**6**) ein und verriegeln Sie es.
- Stecken Sie die Abdeckkappe (**8**) auf das Abgasrohr (**7**).
- Setzen Sie den Einsatz für die Abgasführung (**10**) in das Lüftungsgitter (**9**) ein.



## 6.6 Kühlschranks befestigen



### VORSICHT!

Bohren Sie immer durch die dafür vorgesehenen Buchsen, da ansonsten eingeschäumte Bauteile wie Leitungen u.a. beschädigt werden können.



### HINWEIS

Befestigen Sie die Seitenwände oder die angebrachten Leisten so, dass die Schrauben auch bei erhöhter Beanspruchung (während der Fahrt) fest sitzen.

- Bringen Sie den Kühlschrank in seine endgültige Lage.
- Drehen Sie vier Schrauben durch die vier Kunststoffbuchsen in den Seitenwänden des Kühlschranks (Abb. **10**, Seite 8) und weiter in die Nischenwand.

## 7 Türanschlag wechseln

### Drehbare Türverriegelung

- Wechseln Sie den Türanschlag wie dargestellt (Abb. **11**, Seite 9).

### 2-Knopf-Türverriegelung

- Wechseln Sie den Türanschlag wie dargestellt (Abb. **12**, Seite 10).

## 8 Türdekor einsetzen



### ACHTUNG! Beschädigungsgefahr!

Legen Sie den Kühlschrank nur auf die Seite und nie auf die Rückseite. Das Aggregat kann sonst beschädigt werden.

Das Türdekor muss folgende Abmessungen aufweisen:

- **RM 5310:** 534 x 455 x max. 3 – 3,8 (H x B x T in mm)
- **RM 5330/RM 5380/RM 5385:** 740 x 455 x max. 3 – 3,8 (H x B x T in mm)

► Setzen Sie das Türdekor wie dargestellt ein (Abb. **13**, Seite 11).

## 9 Kühlschrank anschließen

### 9.1 An die Gasversorgung anschließen



#### ACHTUNG!

- Der Kühlschrank darf nur von einer Fachkraft gemäß den geltenden Vorschriften und Normen an die Gasversorgung angeschlossen werden.
- Verwenden Sie nur Propan- oder Butangasflaschen (kein Erdgas oder Stadtgas) mit geprüftem Druckreduzierventil und passendem Kopfstück. Vergleichen Sie die Druckangabe auf dem Typenschild mit der Druckangabe auf dem Druckregler der Propan- oder Butangasflasche.
- Der Kühlschrank darf **ausschließlich** mit dem auf dem Typenschild angegebenen Druck betrieben werden.
- Bitte beachten Sie die in Ihrem Land zugelassenen Drücke. Verwenden Sie einen festeingestellten DIN-DVGW-anerkannten Druckregler:
  - Für Deutschland gilt: DIN EN 12864
  - Für Europa gilt: EN 732 und EN 1949



#### HINWEIS

Der Kühlschrank ist für einen Anschlussdruck von 30 mbar ausgerüstet. Verwenden Sie bei einem Anschluss an eine 50-mbar-Anlage den Truma Vordruckregler VDR 50/30.

Der Kühlschrank muss durch eine Absperrereinrichtung in der Gasleitung separat absperrbar sein. Die Absperrereinrichtung muss leicht zugänglich sein.

- ▶ Verbinden Sie den Kühlschrank gemäß Abb. **14**, Seite 11 mit der Gasversorgung fest und spannungsfrei.  
Für Europa gilt: Verwenden Sie eine Schneidringverschraubung nach EN 1949. Ein Schlauchanschluss ist nicht zulässig.
- ▶ Lassen Sie nach der fachgerechten Installation eine Dichtheitsprüfung und eine Flammprobe gemäß EN 1949 von einer autorisierten Fachkraft durchführen. Lassen Sie eine Bescheinigung dieser Prüfung ausstellen.

## 9.2 An 12 V $\text{---}$ und 230 V $\sim$ anschließen



### ACHTUNG!

- Die elektrische Installation sowie Reparaturen dürfen nur von einer Fachkraft gemäß den geltenden Vorschriften und Normen ausgeführt werden.
- Laut EN 1648-1 dürfen im Caravan die jeweiligen Minus- und Plusleitungen der Gleichstrom-Anschlüsse für Heizelement und Beleuchtung nicht miteinander verbunden werden. Es kann sonst zu elektrischer Beeinflussung oder Beschädigung elektrischer Bauteile kommen.
- Der Einbau eines Wechselrichters darf nur von einer Fachkraft ausgeführt werden.



### HINWEIS

- Die Netzsteckdose muss gut erreichbar sein, sodass Sie bei Bedarf den Netzstecker ziehen und den Kühlschrank dadurch vom Netz trennen können.
- Der Stecker des Wechselstrom-Anschlusskabels darf nicht abgeschnitten werden.
- Die Anschlusskabel müssen so verlegt sein, dass sie nicht mit heißen Teilen des Aggregats/Brenners oder mit scharfen Kanten in Berührung kommen.
- Veränderungen an der internen elektrischen Installation oder der Anschluss anderer elektrischer Komponenten (z. B. fremder Zusätze/Lüfter) an der internen Verkabelung des Kühlschranks führen zum Erlöschen der E1/CE-Zulassung sowie jeglicher Ansprüche aus Gewährleistung und Produkthaftung!

- Schließen Sie die Kühlschränke RM 5310/RM 5330/RM 5380 gemäß Abb. **15**, Seite 12 (ohne Beleuchtung) und Abb. **16**, Seite 13 (mit Beleuchtung) an:

Pos.	Bezeichnung
1	Gleichstrom-Heizpatrone
2	Gleichstrom-Anschlusskabel
3	Klemmleiste für den Gleichstromanschluss der Heizpatrone
4	Plusleitung der Heizpatrone
5	Masseleitung der Beleuchtung
6	Plusleitung der Beleuchtung
7	Reed-Kontakt (Sensorschaltung)
8	Galvanometer
9	LED-Beleuchtung
10	Thermostrom-Adapter
11	Wechselstrom-Heizpatrone
12	Wechselstrom-Anschlusskabel
13	Masse des Gehäuses (Oberteil)

- Schließen Sie den Kühlschrank RM 5385 gemäß Abb. **17**, Seite 14 an:

Pos.	Bezeichnung
1	Wechselstrom-Heizpatrone
2	Wechselstrom-Anschlusskabel
3	Masse Wechselstrom
4	Ionisation
5	Zündung
6	Brenner
7	Gleichstrom-Heizpatrone
8	LED-Beleuchtung
9	Gas-Eingang
10	Gas-Ausgang

Pos.	Bezeichnung
11	Gasventil
12	Ausgang Gleichstrom
13	Zuleitung des Gasventils
A	Optionale Anschlüsse an Ausgang Gleichstrom
B	Minuspol (-) Gleichstrom-Dauerversorgung Elektronik
C	Pluspol (+) Gleichstrom-Dauerversorgung Elektronik
D	Anschluss D+
E	Anschluss S+
F	Plusleitung der Heizpatrone
G	Masseleitung der Heizpatrone

## Wechselstrom

- Schließen Sie den Kühlschrank mit dem Netzstecker an eine Wechselstromsteckdose an.

## Gleichstrom

Beachten Sie folgende Leitungsquerschnitte:

- < 6 m (im Innenraum): 4 mm<sup>2</sup>
- > 6 m (im Innenraum): 6 mm<sup>2</sup>
- Verbindungen D+ und S+: 1 mm<sup>2</sup>
- Über Deichsel geführte Kabel (nur Caravan): 2,5 mm<sup>2</sup>
- Sichern Sie die Zuleitung zum Heizelement (Anschlüsse **3** und **4**) mit einer 15-A-Sicherung und die Zuleitung zur Beleuchtung/Elektronik (Anschlüsse **5** und **6**) mit einer 2-A-Sicherung ab.
- Schließen Sie das Heizelement (Anschlüsse **3** und **4**) mit einem möglichst kurzen Kabel an.
- Führen Sie die Zuleitung zum Heizelement (Anschlüsse **3** und **4**) über ein zündschlossgesteuertes Relais, um zu verhindern, dass die Fahrzeugbatterie bei versehentlich abgeschaltetem Motor komplett entladen wird (Abb. **18**, Seite 15).
- **Nur RM5385:** Schließen Sie eine Gleichstrom-Dauerversorgung an den Anschluss der Beleuchtung/Elektronik (Anschlüsse **5** und **6**) an.

**D+ (nur RM5385)**

Der Kühlschrank wählt im automatischen Betriebsmodus die günstigste vorhandene Betriebsart aus. Der Kühlschrank wird nur mit Gleichstrom betrieben, wenn der Fahrzeugmotor läuft. Die Elektronik des Kühlschranks nutzt das Signal D+ der Lichtmaschine, um den laufenden Fahrzeugmotor zu erkennen.

- Verbinden Sie den Anschluss D+ an der Steuerung (Abb. **17** D, Seite 14) mit der entsprechenden Klemme des Fahrzeugs.

**S+ (nur RM5385)**

Der Kühlschrank wird im automatischen Betriebsmodus bevorzugt mit Gleichstrom einer fahrzeugeigenen Solaranlage betrieben. Die Elektronik des Kühlschranks nutzt das Signal S+ des Solar-Ladereglers, um eine Solaranlage zu erkennen. Der Solar-Laderegler muss über einen AES-Ausgang verfügen.

- Verbinden Sie den Anschluss S+ an der Steuerung (Abb. **17** E, Seite 14) mit der entsprechenden Klemme des Solar-Ladereglers.

Entsprechende Solar-Laderegler erhalten Sie im Fachhandel.

Der Hersteller empfiehlt zum Beispiel:

- Büttner MT 300-S  
([www.buettner-elektronik.de](http://www.buettner-elektronik.de))
- Votronic MPP 240 Duo Digital  
([www.votronic.de](http://www.votronic.de))

## 10 Reinigung und Pflege



### WARNUNG!

Trennen Sie vor jeder Reinigung und Pflege den Kühlschrank vom Netz.



### ACHTUNG! Beschädigungsgefahr!

- Bringen Sie die Türdichtung nicht mit Öl oder Fett in Berührung.
- Verwenden Sie zur Reinigung keine scharfen Reinigungsmittel oder harten Gegenstände, da diese den Kühlschrank beschädigen können.

- Reinigen Sie den Kühlschrank innen und außen gelegentlich mit einem feuchten Tuch.
- Stellen Sie sicher, dass die Lüftungsöffnungen des Kühlschranks frei von Staub und Verunreinigungen sind, damit die beim Betrieb entstehende Wärme abgeführt werden kann und der Kühlschrank keinen Schaden nimmt.

## 11 Gewährleistung

Es gilt die gesetzliche Gewährleistungsfrist. Sollte das Produkt defekt sein, wenden Sie sich bitte an Ihren Fachhändler oder an die Niederlassung des Herstellers in Ihrem Land (Adressen siehe Garantieheft).

Zur Reparatur- bzw. Gewährleistungsbearbeitung müssen Sie folgende Unterlagen mitschicken:

- eine Kopie der Rechnung mit Kaufdatum,
- einen Reklamationsgrund oder eine Fehlerbeschreibung.



## 12 Entsorgung

- Geben Sie das Verpackungsmaterial möglichst in den entsprechenden Recycling-Müll.



Wenn Sie das Produkt endgültig außer Betrieb nehmen, informieren Sie sich bitte beim nächsten Recyclingcenter oder bei Ihrem Fachhändler über die zutreffenden Entsorgungsvorschriften.

# 13 Technische Daten

	RM5310	RM5330	RM5380	RM5385
Anschluss- spannung:	230 V~ 12 V==			
Bruttoinhalt:	60 l	70 l	80 l	80 l
Nettoinhalt:	55 l	65 l	75 l	75 l
Anschlusswerte:	125 W (230 V~) 120 W (12 V==) 18,3 g/h (Gas)			
Frosterfach:	5 l			
Energieverbrauch:	2,5 kWh/24 h (230 V) 240 Ah/24 h (12 V)			
Gasverbrauch:	270 g/24 h			
Klimaklasse:	SN			
Umgebungs- temperatur:	+10 °C bis +32 °C			
Zündung:	Manuell	Manuell	Manuell	Automatisch
Energiewahl:	Manuell	Manuell	Manuell	Automatisch
Abmessungen:	Abb. <b>1</b> , Seite 3			
Gewicht:	20 kg	22 kg	24 kg	23 kg
Prüfung/Zertifikat:	  <b>10R-047358</b>			



**Veillez lire attentivement cette notice avant le montage et la mise en service. Veillez ensuite la conserver. En cas de passer le produit, veuillez le transmettre au nouvel acquéreur.**

## Sommaire

1	Explication des symboles . . . . .	50
2	Consignes de sécurité . . . . .	50
3	Pièces fournies . . . . .	52
4	Accessoires . . . . .	53
5	Usage conforme . . . . .	53
6	Installation du réfrigérateur . . . . .	54
7	Modification du côté d'ouverture de la porte . . . . .	58
8	Mise en place du décor de la porte . . . . .	59
9	Raccordement du réfrigérateur . . . . .	59
10	Entretien et nettoyage . . . . .	63
11	Garantie . . . . .	64
12	Retraitement . . . . .	64
13	Caractéristiques techniques . . . . .	65

# 1 Explication des symboles

**AVERTISSEMENT !**

**Consigne de sécurité :** le non-respect de ces consignes peut entraîner la mort ou de graves blessures.

**ATTENTION !**

**Consigne de sécurité :** le non-respect de ces consignes peut entraîner des blessures.

**AVIS !**

Le non-respect de ces consignes peut entraîner des dommages matériels et des dysfonctionnements du produit.

**REMARQUE**

Informations complémentaires sur l'utilisation du produit.

# 2 Consignes de sécurité

Le fabricant décline toute responsabilité pour des dommages dans les cas suivants :

- des défauts de montage ou de raccordement
- des influences mécaniques et des surtensions ayant endommagé le matériel
- des modifications apportées au produit sans autorisation explicite de la part du fabricant
- une utilisation différente de celle décrite dans la notice

**AVERTISSEMENT !**

- N'ouvrez jamais le module de l'absorbeur. Il se trouve sous haute pression et peut provoquer des blessures si il est ouvert.
- Assurez un traitement propre et sans traces lorsque du mastic au silicone ou un produit similaire est utilisé. Tout contact de fils de silicone avec des pièces chaudes ou des flammes nues présente un risque d'incendie.
- Si le réfrigérateur présente des dégâts visibles, vous ne devez pas le mettre en service.

- Si le câble de raccordement en courant alternatif du réfrigérateur est endommagé, il doit être remplacé par le fabricant, son service après-vente ou une personne de qualification similaire, afin d'éviter tout danger.
- Ne contrôlez jamais l'étanchéité du réfrigérateur à l'aide d'une flamme nue.
- Seul un professionnel est habilité à réparer le réfrigérateur. Toute réparation mal effectuée risquerait d'entraîner de graves dangers.
- Utilisez uniquement du gaz propane ou butane (**pas de** gaz naturel).
- Faites fonctionner le réfrigérateur **uniquement** avec une pression correspondant à celle indiquée sur la plaque signalétique. Utilisez uniquement des régulateurs de pression à réglage fixe correspondant aux prescriptions nationales (en Europe EN 12864).
- Démontez toutes les portes du réfrigérateur lors du retraitement d'un ancien réfrigérateur et laissez les tablettes dans le réfrigérateur afin d'éviter tout risque d'enfermement et d'asphyxie accidentels.



### ATTENTION !

- Risque d'écrasement ! Ne touchez pas la charnière.
- Avant de mettre l'appareil en service, assurez-vous que la ligne d'alimentation électrique et le connecteur sont secs.



### AVIS !

- Lors du transport, ne fixez le réfrigérateur que par le corps du réfrigérateur. Ne le fixez jamais au module de l'absorbeur, aux ailettes de refroidissement, aux conduites de gaz, à la porte ou au panneau de commande.
- Lors du transport, veillez à ne pas endommager le circuit frigorifique. Le réfrigérant du circuit frigorifique s'enflamme facilement. En cas d'endommagement du circuit frigorifique (odeur d'ammoniac) :
  - Le cas échéant, éteignez le réfrigérateur.
  - Évitez tout feu ouvert et toute étincelle.
  - Aérez bien la pièce.
- Ne montez pas le réfrigérateur près de flammes nues ou d'autres sources de chaleur (chauffage, fours à gaz, etc.).

- **Risque de surchauffe !**  
Veillez toujours à ce que la chaleur produite lors du fonctionnement puisse se dissiper suffisamment. Veillez à ce que le réfrigérateur se trouve à distance suffisante des murs ou des objets, de sorte que l'air puisse circuler.
- Vérifiez que la tension indiquée sur la plaque signalétique correspond à l'alimentation électrique dont vous disposez.
- N'ouvrez jamais le circuit frigorifique.
- Pour raccorder le réfrigérateur au courant alternatif, veuillez utiliser exclusivement la prise de courant correspondante.
- Utilisez uniquement des câbles de la section appropriée.
- Ne tirez jamais sur le câble de raccordement pour sortir la fiche de la prise.
- Le réfrigérateur ne doit pas être exposé à la pluie.

### 3 Pièces fournies

- Réfrigérateur
- Caches
- Bac à glaçons
- Notice d'utilisation
- Instructions de montage

## 4 Accessoires

Disponibles en accessoires (non compris dans la livraison) :

Désignation	N° d'article
Kit ventilateur	9105900007
Grille d'aération LS100, avec évacuation des gaz d'échappement et cache pour l'hiver	
blanc	9105900012
beige	9105900011
Grille d'aération LS200, sans évacuation des gaz d'échappement, avec cache pour l'hiver	
blanc	9105900014
beige	9105900013

En cas de questions concernant les accessoires, veuillez vous adresser à votre partenaire de service après-vente.

## 5 Usage conforme

Le réfrigérateur est conçu pour le montage dans les camping-cars et caravanes. Il convient uniquement pour réfrigérer, congeler et stocker des aliments. Le réfrigérateur n'est pas destiné au stockage conforme des médicaments.

Le réfrigérateur est conçu pour fonctionner sur l'alimentation CC et sur une prise de courant et peut fonctionner avec des gaz liquides (propane ou butane). Le réfrigérateur **ne doit pas** être utilisé avec du gaz naturel ou gaz de ville. Le réfrigérateur RM5385 a toujours besoin, en plus, d'une alimentation permanente en courant continu.

## 6 Installation du réfrigérateur

### 6.1 Préparation au montage

Tenez compte des remarques suivantes lors du montage du réfrigérateur :

- Pour que le frigorigène puisse circuler correctement, le réfrigérateur ne doit pas dépasser un angle d'inclinaison de 3°.  
Pour ce faire, garez le véhicule à l'horizontale à l'aide d'un niveau à bulle.
- Le réfrigérateur doit être installé de sorte à être facilement accessible pour les travaux de maintenance, et à ce qu'il puisse être installé et retiré sans trop d'effort du véhicule.
- La distance entre le réfrigérateur et le mur arrière doit être min. 15 mm – max. 25 mm (fig. **3**, page 5).
- Le réfrigérateur doit être construit dans une alcôve, afin qu'il soit stable lorsque le véhicule se déplace. Pour ce faire, tenez compte des dimensions suivantes (H x B x T en mm, fig. **1**, page 3) :
  - **RM5310** : 618 x 486 x 474
  - **RM5330** : 821 x 486 x 474
  - **RM5380** : 821 x 486 x 474
  - **RM5385** : 821 x 486 x 474
- La paroi extérieure doit comporter une ouverture de ventilation (fig. **2** 2, page 4) et une ouverture d'aération (fig. **2** 3, page 4) équipée d'une grille d'aération, afin que la chaleur formée puisse être évacuée correctement vers l'extérieur :
  - Ouverture de ventilation : placez la grille d'aération autant que possible au même niveau que le dessous du cache du brûleur (fig. **2** 1, page 4), avec une section d'au moins 250 cm<sup>2</sup>.
  - Ouverture d'aération : si possible, au-dessus du réfrigérateur. Il est possible d'utiliser ici une grille d'aération avec évacuation intégrée des gaz d'échappement.
- Si la grille de ventilation de l'ouverture d'aération ne peut pas être montée à fleur du plancher, prévoyez en plus une ouverture d'aération (fig. **2** 5, page 4) dans le plancher pour évacuer les gaz.
- Pour les réfrigérateurs RM5380 et RM5385, il faut toujours prévoir une ouverture d'aération (fig. **2** 5, page 4) dans le plancher.
- Les ouvertures d'aération ne doivent pas être recouvertes par des pièces du véhicule pendant le fonctionnement (p. ex. porte ouverte ou accessoires, comme porte-vélos).

- Il doit y avoir suffisamment de place au dos du réfrigérateur pour que l'air puisse circuler autour de l'élément réfrigérant.
- Prévoyez un déflecteur de chaleur au-dessus du réfrigérateur (fig. **2** 4, page 4) afin que la chaleur ne s'accumule pas dans le véhicule.
- Installez le réfrigérateur à l'abri d'un rayonnement excessif de chaleur, car cela conduit sinon à des pertes de la performance et augmente la consommation d'énergie du réfrigérateur.
- L'installation électrique doit être effectuée conformément aux règlements locaux et nationaux.  
Normes européennes : EN 60335-1, EN 60335-2-24, EN 1648-1 et EN 1648-2.
- L'installation de gaz doit être effectuée conformément aux règlements locaux et nationaux.  
Norme européenne : EN 1949.
- Le réfrigérateur doit être EN 1949 encastré sans passage d'air, voir chapitre « Encastrement du réfrigérateur sans passage d'air », page 55.

## 6.2 Encastrement du réfrigérateur sans passage d'air

Les appareils de refroidissement fonctionnant au gaz dans des camping-cars ou caravanes doivent être encastrés hermétiquement, selon la norme EN 1949. Cela signifie que l'air nécessaire à la combustion n'est pas pris dans l'habitacle et que les gaz d'échappement ne pénètrent pas directement dans l'espace habitable.

Un colmatage adapté doit être prévu entre l'arrière du réfrigérateur et l'intérieur du véhicule.



### **AVERTISSEMENT ! Risque d'incendie !**

Pour l'encastrement hermétique, n'utilisez pas de matériaux facilement inflammables comme les mastics en silicone, mousse de montage, etc.

Le fabricant recommande d'utiliser un joint flexible afin de simplifier le démontage et le montage à des fins de maintenance.

- Fixez les lèvres d'étanchéité (fig. **4** 1, page 5) à une barre de butée derrière le réfrigérateur, p. ex. en les collant.
- Lors du montage, poussez le réfrigérateur contre les barres de butée avec les lèvres d'étanchéité. L'espace se trouvant derrière le réfrigérateur est ainsi hermétiquement séparé de l'habitacle du véhicule.

### 6.3 Découpe des ouvertures de ventilation



#### REMARQUE

En cas de températures ambiantes élevées, le réfrigérateur ne peut fournir sa puissance frigorifique maximale que si l'aération et la ventilation sont optimales.

- Pratiquez une ouverture d'aération et de ventilation de 451 mm x 156 mm dans la paroi extérieure. Ce faisant, respectez les consignes, voir chapitre « Préparation au montage », page 54.

Si la grille d'aération de l'ouverture d'aération ne peut pas être montée au même niveau que le plancher de l'alcôve, il faut prévoir en plus une ouverture d'aération dans le plancher du véhicule :

- derrière le réfrigérateur, dans la zone du brûleur, pratiquez une ouverture d'aération d'un diamètre d'au moins 40 mm dans le plancher (fig. **2** 4, page 4). Le tuyau de ventilation doit mener directement vers l'extérieur. Ainsi, le gaz non brûlé peut s'échapper vers l'extérieur.
- Protégez l'extrémité de l'ouverture avec un déflecteur pour que ni boue ni salissures ne puisse y pénétrer pendant le trajet (fig. **5**, page 5).



## 6.4 Montage de la grille de ventilation

### LS100

Pos. dans fig. <b>6</b> , page 6	Désignation
1	Cadre de montage
2	Grilles d'aération
3	Insert pour évacuation des gaz d'échappement
4	Couvercle d'hivernage

### LS200

Pos. dans fig. <b>7</b> , page 6	Désignation
1	Cadre de montage
2	Grilles d'aération
3	Couvercle d'hivernage

Procédez comme suit (fig. **8**, page 7) :

- Scellez le cadre de montage de manière étanche à l'eau (**A**).
- Insérez le cadre de montage et vissez-le (**B**).
- Insérez la grille d'aération et verrouillez-la (**C**).

#### Uniquement pour LS 100

- Insérez l'insert pour évacuation des gaz d'échappement (**D**).

## 6.5 Montage de l'évacuation des gaz d'échappement

Procédez comme suit (fig. **9**, page 7) :

- Placez la pièce en T (**1**) sur l'adaptateur (**2**) et sur le tuyau d'échappement (**3**).
- Fixez la pièce en T, l'adaptateur et le tuyau d'échappement avec une vis (**4**).
- Veillez à ce que le répartiteur de chaleur (**5**) se trouve dans la position prévue à cet effet.

- Enfoncez le tuyau d'échappement avec la plaque du cache (7) dans l'ouverture du cadre de montage prévue à cet effet (6).
- Raccordez le tuyau d'échappement et la plaque du cache à la pièce en T (1).
- Éventuellement, raccourcissez le tuyau d'échappement (7) à la bonne longueur.
- Insérez la grille d'aération LS100 (9) dans le cadre de montage (6) et verrouillez-la.
- Placez le cache (8) sur le tuyau d'échappement (7).
- Placez l'insert pour évacuation des gaz d'échappement (10) dans la grille d'aération (9).

## 6.6 Fixation du réfrigérateur



### ATTENTION !

Percez toujours à travers les douilles prévues ; dans le cas contraire, les composants en mousse et les câbles, entre autres, pourraient être endommagés.



### REMARQUE

Fixez les parois latérales ou les plinthes de telle sorte que les vis soient bien serrées, même sous une charge accrue (pendant la conduite).

- Placez le réfrigérateur à son emplacement définitif.
- Vissez quatre vis dans les quatre douilles en plastique des parois latérales du réfrigérateur (fig. 10, page 8) puis dans la niche murale.

## 7 Modification du côté d'ouverture de la porte

### Verrouillage rotatif de la porte

- Remplacez le côté d'ouverture de la porte comme représenté (fig. 11, page 9).

### Verrouillage à 2 boutons de la porte

- Remplacez le côté d'ouverture de la porte comme représenté (fig. 12, page 10).

## 8 Mise en place du décor de la porte



### AVIS ! Risque d'endommagement !

Placez le réfrigérateur uniquement sur le côté et jamais sur l'arrière. Cela pourrait endommager le groupe frigorifique !

Le décor de la porte doit avoir les dimensions suivantes :

- **RM 5310** : 534 x 455 x max. 3 – 3,8 (h x l x p en mm).
- **RM 5330/RM 5380/RM 5385** : 740 x 455 x max. 3 – 3,8 (h x l x p en mm).

► Insérez le décor de la porte comme indiqué sur l'illustration (fig. **13**, page 11).

## 9 Raccordement du réfrigérateur

### 9.1 Raccordement à l'alimentation en gaz



#### AVIS !

- Seul un spécialiste est habilité à raccorder le réfrigérateur à l'alimentation au gaz, conformément aux directives et normes en vigueur.
- Utilisez uniquement des bouteilles de gaz propane ou butane (pas de gaz naturel ou gaz de ville) dont la vanne de réduction de pression a été contrôlée et un embout correspondant. Vérifiez que les données inscrites sur le régulateur de pression de la bouteille de propane ou de butane correspondent aux données inscrites sur la plaque signalétique.
- Faites fonctionner le réfrigérateur **uniquement** avec une pression correspondant à celle indiquée sur la plaque signalétique.
- Veuillez tenir compte des pressions autorisées dans votre pays. Utilisez un régulateur de pression à réglage fixe reconnu DIN DVGW :
  - Pour l'Allemagne : DIN EN 12864
  - Pour l'Europe : EN 732 et EN 1949.



#### REMARQUE

Le réfrigérateur est équipé pour une pression de raccordement de 30 mbar. En cas de raccordement à une installation de 50 mbar, utilisez un régulateur de pression Truma VDR 50/30.

Le réfrigérateur doit pouvoir être séparé de la conduite de gaz par un dispositif de blocage. Le dispositif de blocage doit être facile d'accès.

- Raccordez le réfrigérateur à l'alimentation en gaz conformément à fig. **14**, page 11 de manière fixe et sans tension.  
Pour l'Europe : Utilisez un raccord à bague coupante conforme EN 1949. Il est interdit d'utiliser un raccord pour tuyaux.
- Après l'installation dans les règles de l'art, faites effectuer un test d'étanchéité et un essai à la flamme selon la norme EN 1949 par un technicien agréé.  
Faites-vous remettre un certificat de ce test.

## 9.2 Raccordement à l'alimentation 12 V $\text{---}$ et 230 V $\sim$



### AVIS !

- L'installation électrique et les réparations doivent être effectuées par un spécialiste, en conformité avec les règlements et les normes applicables.
- Selon la norme EN 1648-1, les lignes positives et négatives respectives des connecteurs à courant continu pour le chauffage et l'éclairage ne peuvent être raccordées ensemble dans une caravane. Cela peut provoquer des interférences électriques ou endommager des composants électriques.
- L'installation d'un onduleur doit être effectuée uniquement par un spécialiste.



### REMARQUE

- La prise secteur doit être facile d'accès, de telle sorte que vous puissiez débrancher la fiche secteur en cas de besoin et ainsi débrancher le réfrigérateur.
- La fiche du câble de raccordement au courant alternatif ne doit pas être coupée.
- Les câbles de raccordement doivent être posés de telle sorte qu'ils ne sont pas en contact avec les parties chaudes de l'unité / du brûleur ou avec des arêtes vives.
- Des modifications de l'installation électrique interne ou le raccordement d'autres composants électriques (p. ex. ventilateur supplémentaire d'un autre fabricant) au câblage interne du réfrigérateur annulent l'homologation E1 / CE et toute réclamation issue de la garantie et de la responsabilité du fabricant !

- Raccordez les réfrigérateurs RM5310/RM5330/RM5380 selon fig. **15**, page 12 (sans éclairage), et fig. **16**, page 13 (avec éclairage) :

<b>Réf.</b>	<b>Désignation</b>
1	Cartouche chauffante courant continu
2	Câble de raccordement au courant continu
3	Bornier pour le raccordement au courant continu de la cartouche chauffante
4	Ligne positive de la cartouche chauffante
5	Ligne de masse de l'éclairage
6	Ligne positive de l'éclairage
7	Contacteur Reed (commutation de la sonde)
8	Galvanomètre
9	Éclairage LED
10	Adaptateur courant thermique
11	Cartouche chauffante courant alternatif
12	Câble de raccordement en courant alternatif
13	Masse du bâti (partie supérieure)

- Raccordez le réfrigérateur RM5385 au courant selon fig. **17**, page 14.

<b>Réf.</b>	<b>Désignation</b>
1	Cartouche chauffante courant alternatif
2	Câble de raccordement en courant alternatif
3	Masse courant alternatif
4	Ionisation
5	Allumage
6	Brûleur
7	Cartouche chauffante courant continu
8	Éclairage LED
9	Entrée du gaz
10	Sortie du gaz

Réf.	Désignation
11	Vanne du gaz
12	Sortie courant continu
13	Ligne d'alimentation de la vanne de gaz
A	Raccordements optionnels à sortie courant continu
B	Pôle négatif (-) alimentation permanente en courant continu, électronique
C	Pôle positif (+) alimentation permanente en courant continu, électronique
D	Raccordement D+
E	Raccordement S+
F	Ligne positive de la cartouche chauffante
G	Ligne de masse de la cartouche chauffante

### Courant alternatif

- Branchez le réfrigérateur avec la fiche d'alimentation sur une prise secteur.

### Courant continu

Respectez les sections de câbles suivantes :

- < 6 m (à l'intérieur) : 4 mm<sup>2</sup>
- > 6 m (à l'intérieur) : 6 mm<sup>2</sup>
- Raccordements D+ et S+ : 1 mm<sup>2</sup>
- Câble sur timon (caravane uniquement) : 2,5 mm<sup>2</sup>
- Protégez la ligne d'alimentation vers l'élément de chauffage (raccordements **3** et **4**) avec un fusible de 15 A et la ligne d'alimentation pour l'éclairage / l'électronique (bornes **5** et **6**) avec un fusible de 2 A.
- Raccordez l'élément de chauffage (raccordements **3** et **4**) avec un câble aussi court que possible.
- Faites passer la ligne d'alimentation vers l'élément de chauffage (raccordement **3** et **4**) par un relais à serrure de contact pour éviter que la batterie du véhicule soit complètement déchargée lorsque le moteur est éteint accidentellement (fig. **18**, page 15).
- **Uniquement RM5385** : Connectez une alimentation permanente CC au raccordement pour l'éclairage / l'électronique (raccords **5** et **6**).

### **D+ (uniquement RM5385)**

En mode automatique, le réfrigérateur sélectionne le mode le plus favorable. Le réfrigérateur ne fonctionne avec du courant continu que lorsque le moteur du véhicule est en marche. L'électronique du réfrigérateur utilise le signal D+ de la dynamo afin de reconnaître la marche du moteur du véhicule.

- Connectez le raccordement D+ au niveau de la commande (fig. 17 D, page 14) à la borne correspondante du véhicule.

### **S+ (uniquement RM5385)**

En mode automatique, le réfrigérateur fonctionne de préférence sur le courant continu du système solaire du véhicule. L'électronique du réfrigérateur utilise le signal S+ du régulateur de charge solaire pour détecter un système solaire. Le régulateur de charge solaire doit disposer d'une sortie AES.

- Connectez le raccordement S+ au niveau de la commande (fig. 17 E, page 14) à la borne correspondante du régulateur de charge solaire.

Vous trouverez des régulateurs de charge solaire correspondants dans le commerce spécialisé.

Le fabricant recommande par exemple :

- Büttner MT 300-S  
([www.buettner-elektronik.de](http://www.buettner-elektronik.de))
- Votronic MPP 240 Duo Digital  
([www.votronic.de](http://www.votronic.de))

## **10 Entretien et nettoyage**



### **AVERTISSEMENT !**

Avant toute opération de nettoyage ou d'entretien du réfrigérateur, veuillez à débrancher celui-ci du secteur.



### **AVIS ! Risque d'endommagement !**

- Ne mettez pas le joint de la porte en contact avec de l'huile ou de la graisse.
- N'utilisez ni détergents abrasifs, ni objets durs pour le nettoyage, ceux-ci pouvant endommager le réfrigérateur.

- Nettoyez le réfrigérateur à l'intérieur et à l'extérieur de temps en temps avec un chiffon humide.

- Assurez-vous que les ouvertures de ventilation du réfrigérateur ne sont pas encombrées de saletés ou de poussières, pour que la chaleur générée par le fonctionnement soit évacuée et que l'appareil ne soit pas endommagé.

## 11 Garantie

La période de garantie légale s'applique. Si le produit s'avérait défectueux, veuillez vous adresser à la succursale du fabricant située dans votre pays (voir adresses dans le livret de garantie) ou à votre revendeur spécialisé.

Pour toutes réparations ou autres prestations de garantie, veuillez joindre à l'appareil les documents suivants :

- une copie de la facture avec la date d'achat,
- le motif de la réclamation ou une description du dysfonctionnement.

## 12 Retraitement

- Jetez les emballages dans les conteneurs de déchets recyclables prévus à cet effet.



Lorsque vous mettez votre produit définitivement hors service, informez-vous auprès du centre de recyclage le plus proche ou auprès de votre revendeur spécialisé sur les prescriptions relatives au retraitement des déchets.



## 13 Caractéristiques techniques

	RM5310	RM5330	RM5380	RM5385
Tension de raccordement :	230 V~ 12 V===			
Capacité :	60 l	70 l	80 l	80 l
Contenu net :	55 l	65 l	75 l	75 l
Valeurs de raccordement :	125 W (230 V~) 120 W (12 V===) 18,3 g/h (gaz)			
Compartment congélateur :	5 l			
Consommation électrique :	2,5 kWh/24 h (230 V) 240 Ah/24 h (12 V)			
Consommation de gaz :	270 g/24 h			
Classe climatique :	SN			
Température ambiante :	de +10 °C à +32 °C			
Allumage :	Manuel	Manuel	Manuel	Automatique
Choix de l'énergie :	Manuel	Manuel	Manuel	Automatique
Dimensions :	fig. <b>1</b> , page 3			
Poids :	20 kg	22 kg	24 kg	23 kg
Contrôle/Certificat :	  10R-047358			

**Lees deze handleiding voor de montage en de ingebruikname zorgvuldig door en bewaar hem. Geef de handleiding bij het doorgeven van het product aan de gebruiker.**

## **Inhoudsopgave**

1	Verklaring van de symbolen . . . . .	67
2	Veiligheidsinstructies . . . . .	67
3	Omvang van de levering . . . . .	69
4	Toebehoren. . . . .	69
5	Reglementair gebruik . . . . .	70
6	Koelkast monteren . . . . .	70
7	Deurbevestiging wisselen . . . . .	75
8	Deurdecor aanbrengen . . . . .	75
9	Koelkast aansluiten . . . . .	76
10	Reiniging en onderhoud. . . . .	80
11	Garantie . . . . .	81
12	Afvoer . . . . .	81
13	Technische gegevens. . . . .	82

# 1 Verklaring van de symbolen



## **WAARSCHUWING!**

**Veiligheidsaanwijzing:** Het niet naleven kan leiden tot overlijden of ernstig letsel.



## **VOORZICHTIG!**

**Veiligheidsaanwijzing:** Het niet naleven kan leiden tot letsel.



## **LET OP!**

Het niet naleven ervan kan leiden tot materiële schade en de werking van het product beperken.



## **INSTRUCTIE**

Aanvullende informatie voor het bedienen van het product.

# 2 Veiligheidsinstructies

De fabrikant kan in de volgende gevallen niet aansprakelijk worden gesteld voor schade:

- montage- of aansluitfouten
- beschadiging van het product door mechanische invloeden en overspanningen
- veranderingen aan het product zonder uitdrukkelijke toestemming van de fabrikant
- gebruik voor andere dan de in de handleiding beschreven toepassingen



## **WAARSCHUWING!**

- Open het absorptieaggregaat nooit. Het staat onder hoge druk en kan letsel veroorzaken, als het wordt geopend.
- Let op een schone en restloze verwerking, als siliconenafdichtmassa en dergelijke wordt gebruikt. Bij contact van siliconendraden met hete delen of open vuur bestaat brandgevaar.
- Als de koelkast zichtbaar is beschadigd, mag hij niet in gebruik worden genomen.

- Als de wisselstroomaansluitkabel van deze koelkasten wordt beschadigd, moet deze om gevaar uit te sluiten worden vervangen door de fabrikant, diens klantenservice of een gelijkwaardig gekwalificeerd persoon.
- De koelkast nooit met open vuur op lekkage controleren.
- Reparaties aan deze koelkast mogen uitsluitend door vakmonteurs worden uitgevoerd. Door niet-vakkundige reparaties kunnen grote gevaren ontstaan.
- Gebruik uitsluitend propaan- of butaangas (**geen** aardgas).
- De koelkast mag **uitsluitend** met de op het typeplaatje aangegeven druk worden gebruikt. Gebruik alleen vast ingestelde drukregelaars die voldoen aan de nationale voorschriften (in Europa EN 12864).
- Demonteer bij de afvoer van de oude koelkast alle koelkastdeuren, en laat de aflegplaten in de koelkast om onbedoeld naar binnen klimmen door kinderen en stikken te voorkomen.



### VOORZICHTIG!

- Beknellingsgevaar! Grijp niet in de scharnier.
- Let er voor de ingebruikneming op dat toevoerleiding en stekker droog zijn.



### LET OP!

- Houd de koelkast tijdens transport alleen aan de koelkastbehuizing vast. Houd de koelkast nooit aan absorptieaggregaat, koelribben, gasleidingen, deur of bedienpaneel vast.
- Voorkom beschadiging van het koelcircuit tijdens transport. Het koudemiddel in het koelcircuit is licht ontvlambaar. Bij een beschadiging van het koelcircuit (ammoniakgeur):
  - Schakel de koelkast eventueel uit.
  - Vermijd open vuur en ontstekingsvonken.
  - Ventileer de ruimte goed.
- Plaats het product niet in de buurt van open vuur of andere warmtebronnen (verwarming, gasovens etc.).
- **Oververhittingsgevaar!** Let er altijd op dat de warmte die bij het gebruik ontstaat goed afgevoerd kan worden. Zorg ervoor dat de koelkast op voldoende afstand tot wanden en voorwerpen staat, zodat de lucht kan circuleren.
- Vergelijk de spanning op het typeplaatje met de aanwezige energievoorziening.
- Open in geen geval het koelcircuit.

- Sluit de koelkast uitsluitend met de bijbehorende wisselstroomaansluitkabel aan op de wisselstroomcontactdoos.
- Gebruik alleen kabels met passende kabeldiameter.
- Trek de stekker nooit aan de aansluitkabel uit het stopcontact.
- De koelkast mag niet aan regen worden blootgesteld.

### 3 Omvang van de levering

- Koelkast
- Afdekkappen
- Bakje voor ijsblokjes
- Gebruiksaanwijzing
- Montagehandleiding

### 4 Toebehoren

Als toebehoren verkrijgbaar (niet bijgeleverd):

Omschrijving	Artikelnr.
Ventilatorset	9105900007
Ventilatiooster LS100, met luchtafvoer en winterafdekking	
wit	9105900012
beige	9105900011
Ventilatiooster LS200, zonder luchtafvoer, met winterafdekking	
wit	9105900014
beige	9105900013

Neem bij vragen over toebehoren contact op met uw servicepartner.

## 5 Reglementair gebruik

De koelkast is ontworpen voor inbouw in caravans of campers. Ze zijn uitsluitend geschikt voor het koelen, diepvriezen en bewaren van levensmiddelen. De koelkast is niet bedoeld voor de vakkundige opslag van geneesmiddelen.

De koelkast is ontworpen voor gebruik met een gelijkstroomnet en een wisselstroom-contactdoos, en kan met vloeibaar gas (propana of butaan) worden gebruikt. De koelkast mag **niet** met aardgas of stadsgas worden gebruikt. De koelkast RM5385 heeft bijkomend altijd een gelijkstroom-continuvoeding nodig.

## 6 Koelkast monteren

### 6.1 Montage voorbereiden

Neem bij de montage van de koelkast volgende aanwijzingen in acht:

- Voor een optimale circulatie van het koudemiddel mag de koelkast een hellingshoek van hooguit 3° hebben.  
Plaats hiervoor het voertuig met een waterpas horizontaal.
- De koelkast moet zodanig worden ingebouwd dat hij voor onderhoud goed toegankelijk is, eenvoudig in- en uitgebouwd en zonder veel moeite uit het voertuig kan worden genomen.
- De afstand tussen de koelkast en achterwand moet min. 15 mm – max. 25 mm bedragen (afb. **3**, pagina 5).
- De koelkast moet in een nis worden ingebouwd, zodat hij bij beweging van het voertuig vast staat. Neem hiervoor de volgende afmetingen in acht (h x b x d in mm, afb. **1**, pagina 3):
  - **RM5310**: 618 x 486 x 474
  - **RM5330**: 821 x 486 x 474
  - **RM5380**: 821 x 486 x 474
  - **RM5385**: 821 x 486 x 474
- In de buitenwand moeten een beluchtingsopening (afb. **2** 2, pagina 4) en een ontluichtingsopening (afb. **2** 3, pagina 4) met ventilatierooster voorhanden zijn om de warmte die ontstaat goed naar buiten te kunnen leiden:
  - Beluchtingsopening: Beluchtingsrooster moet indien mogelijk in een lijn zijn met de onderzijde van de branderafdekking (afb. **2** 1, pagina 4) met een diameter van hooguit 250 cm<sup>2</sup>.
  - Beluchtingsopening: indien mogelijk boven de koelkast. Hier kan een ventilatierooster met geïntegreerde verbrandingsgasleiding worden gebruikt.

- Indien het ventilatierooster van de beluchtingsopening niet in een lijn met de ondergrond kan worden ingebouwd, moet ook een beluchtingsopening (afb. **2** 5, pagina 4) in de ondergrond voor het afvoeren van uitgetreden gas worden aangebracht.
- Voor de koelkasten RM5380 en RM5385 moet altijd een beluchtingsopening (afb. **2** 5, pagina 4) in de vloer worden gemaakt.
- De beluchtingsopeningen mogen tijdens gebruik niet door voertuigdelen worden afgedekt (bijvoorbeeld geopende deur of door de aanbouw van toebehoren zoals fietsdrager).
- Aan de achterzijde van de koelkast moet voldoende ruimte voorhanden zijn zodat de lucht rond het koelelement kan circuleren.
- Monteer boven de koelkast een warmtegeleideplaat (afb. **2** 4, pagina 4) zodat zich geen warmte in het voertuig verzamelt.
- Installeer de koelkast beschermd tegen overmatige warmte-instraling, omdat dit leidt tot vermogensverlies en verhoogd energieverbruik van de koelkast.
- De elektrische installatie moet volgens de nationale en regionale voorschriften worden uitgevoerd.  
Europese normen: EN 60335-1, EN 60335-2-24, EN 1648-1 en EN 1648-2.
- De gasinstallatie moet volgens de nationale en regionale voorschriften worden uitgevoerd.  
Europese norm: EN 1949.
- De koelkast moet conform EN 1949 tochtvrij worden ingebouwd, zie hoofdstuk „Koelkast met onafhankelijke belichting inbouwen” op pagina 72.

## 6.2 Koelkast met onafhankelijke beluchting inbouwen

Koeltoestellen op gas in caravans of campers in moeten conform EN 1949 met onafhankelijke beluchting worden ingebouwd. Dit betekent dat de verbrandingslucht niet uit de binnenruimte wordt genomen en de afvoergassen niet direct in de woonruimte kunnen dringen.

Tussen de achterwand van de koelkast en de binnenruimte van het voertuig moet een geschikte afdichting worden aangebracht.



### WAARSCHUWING! Brandgevaar!

Gebruik voor de tochtvrije inbouw geen licht ontvlambaar materiaal zoals silicone-afdichtmassa, montageschuim en dergelijke.

De fabrikant raadt aan om een flexibele afdichting te gebruiken om in- en uitbouwen voor onderhoud te vereenvoudigen.

- Bevestig de afdichtlippen (afb. **4** 1, pagina 5) aan een lijst achter de koelkast, bijvoorbeeld door lijmen.
- Schuif de koelkast bij montage tegen de aanslaglijsten met de afdichtlippen. Hierdoor is de ruimte achter de koelkast richting de binnenruimte van het voertuig afgedicht.

## 6.3 Beluchtingsopeningen maken



### INSTRUCTIE

Bij hoge omgevingstemperatuur functioneert de koelkast alleen optimaal, als de be- en ontluuchting optimaal is.

- Maak een be- en ontluuchtingsopening in de buitenwand van 451 mm x 156 mm. Neem hierbij de aanwijzingen in acht, zie hoofdstuk „Montage voorbereiden” op pagina 70.

Indien het ventilatierooster van de beluchtingsopening niet in een lijn met de ondergrond van de inbouw is kan worden ingebouwd, moet een beluchtingsopening in de ondergrond worden ingebouwd:

- Maak achter de koelkast bij de gasbrander een beluchtingsopening van minstens 40 mm in de ondergrond (afb. **2** 4, pagina 4). De beluchtingsbuis moet direct naar buiten leiden. Zo kan uittredend onverbrand gas naar buiten ontwijken.



- Scherm het einde van de opening af met een bochtstuk zodat tijdens rijden geen modder of vuil kan binnendringen (afb. **5**, pagina 5).

## 6.4 Ventilatiooster monteren

### LS100

Pos. in afb. <b>6</b> , pagina 6	Omschrijving
1	Montageframe
2	Ventilatioosters
3	Inzetstuk voor uitlaat
4	Winterafdekking

### LS200

Pos. in afb. <b>7</b> , pagina 6	Omschrijving
1	Montageframe
2	Ventilatioosters
3	Winterafdekking

Ga als volgt te werk (afb. **8**, pagina 7):

- Dicht het montageframe waterdicht af (**A**).
- Plaats het montageframe en schroef het vast (**B**).
- Plaats het ventilatiooster en vergrendel het (**C**).

#### Alleen bij LS 100

- Plaats het inzetstuk voor de luchtafvoer (**D**).

## 6.5 Luchtafvoer monteren

Ga als volgt te werk (afb. **9**, pagina 7):

- ▶ Plaats het T-stuk (**1**) op de adapter (**2**) en op de afvoerbuis (**3**)
- ▶ Fixeer het T-stuk, adapter en afvoerbuis met een schroef (**4**).
- ▶ Zorg ervoor dat de warmteverdeler (**5**) in de daarvoor bedoelde positie is.
- ▶ Steek de luchtafvoerbuis met de afdekplaat (**7**) door de hiervoor bedoelde opening van het inbouwframe (**6**).
- ▶ Verbind luchtafvoerbuis en afdekplaat met het T-stuk (**1**).
- ▶ Kort de luchtafvoerbuis (**7**) eventueel tot de juiste lengte in.
- ▶ Plaats het ventilatierooster LS100 (**9**) in het inbouwframe (**6**), en vergrendel het.
- ▶ Steek de afdekkap (**8**) op de luchtafvoerbuis (**7**).
- ▶ Plaats het inzetstuk voor de luchtafvoer (**10**) in het ventilatierooster (**9**).

## 6.6 Koelkast bevestigen



### VOORZICHTIG!

Boor altijd door de hiervoor bedoelde bussen, omdat anders ingeschuimde bouwdelen zoals leidingen en dergelijke kunnen worden beschadigd.



### INSTRUCTIE

Bevestig de zijwanden of de aangebrachte lijsten zodanig dat de schroeven ook bij verhoogde belasting (tijdens rijden) vast zitten.

- ▶ Zet de koelkast in de uiteindelijke positie.
- ▶ Draai de vier schroeven door de vier kunststof bussen in de zijwanden van de koelkast (afb. **10**, pagina 8) en verder in de niswand.

## 7 Deurbevestiging wisselen

### Draaibare deurvergrendeling

- Vervang de deurbevestiging zoals weergegeven (afb. **11**, pagina 9).

### 2-knopdeurvergrendeling

- Vervang de deurbevestiging zoals weergegeven (afb. **12**, pagina 10).

## 8 Deurdecor aanbrengen



### **LET OP! Gevaar voor beschadiging!**

Leg de koelkast alleen op de zijkant neer, nooit op de achterzijde. Anders kan het aggregaat worden beschadigd.

Het deurdecor moet de volgende afmetingen hebben:

- **RM 5310:** 534 x 455 x max. 3 – 3,8 (h x b x d in mm)
  - **RM 5330/RM 5380/RM 5385:** 740 x 455 x max. 3 – 3,8 (h x b x d in mm)
- Plaats het deurdecor zoals weergegeven (afb. **13**, pagina 11).

## 9 Koelkast aansluiten

### 9.1 Op de gastoevoer aansluiten



#### LET OP!

- De koelkast mag alleen door een vakman volgens de geldende voorschriften en normen op de gasvoorziening worden aangesloten.
- Gebruik uitsluitend propaan- of butaangasflessen (geen aardgas of stadsgas) met gekeurd drukreducieventiel en passend kopstuk. Vergelijk de druk op het typeplaatje met de druk op de drukregelaar van de propaan- of butaangasfles.
- De koelkast mag **uitsluitend** met de op het typeplaatje aangegeven druk worden gebruikt.
- Neem a.u.b. de in uw land toegestane drukwaarden in acht. Gebruik een vast ingestelde DIN-DVGW-erkende drukregelaar:
  - Voor Duitsland geldt: DIN EN 12864
  - Voor Europa geldt: EN 732 en EN 1949



#### INSTRUCTIE

De koelkast is voor een aansluitdruk van 30 mbar uitgerust. Gebruik bij een aansluiting op een 50-mbar-inrichting de Truma voordrukregelaar VDR 50/30.

De koelkast moet door een afsluitinrichting in de gasleiding afzonderlijk kunnen worden afgesloten. De afsluitinrichting moet goed toegankelijk zijn.

- Verbind de koelkast conform afb. **14**, pagina 11 met de gastoevoer, vast en spanningsvrij.  
Voor Europa geldt: Gebruik een snijringkoppeling conform EN 1949.  
Een slangaansluiting is niet toegestaan.
- Laat na de vakkundige installatie een dichtheidscontrole en een vlamtest conform EN 1949 door een geautoriseerde vakman uitvoeren.  
Laat een protocol van deze controle maken.

## 9.2 Op 12 V $\equiv$ en 230 V $\sim$ aansluiten



### LET OP!

- De elektrische installatie alsmede reparaties mogen alleen door een vakman conform de geldende voorschriften en normen worden uitgevoerd.
- Conform EN 1648-1 mogen in de caravan de desbetreffende min- en plusleidingen van de gelijkstroomaansluitingen voor verwarmingselement en verlichting niet met elkaar worden verbonden. Anders kunnen elektrische bouwdeelen elektrisch worden beïnvloed of beschadigd.
- De inbouw van een omvormer mag alleen door een vakman worden uitgevoerd.



### INSTRUCTIE

- De netcontactdoos moet goed bereikbaar zijn zodat de netstekker indien nodig kan worden uitgetrokken en de koelkast daardoor van het net kan worden gescheiden.
- De stekker van de wisselstroomaansluitkabel mag niet worden afgesneden.
- De aansluitkabel moet zodanig gemonteerd zijn dat deze niet met hete delen van aggregaat/brander of met scherpe randen in contact komen.
- Wijzigingen van de interne elektrische installatie of de aansluiting van andere elektrische componenten (bijvoorbeeld externe extra ventilator) aan de interne bekabeling van de koelkast doen de E1/CE-toelating en elke aanspraak op garantie vervallen!

- Sluit de koelkasten RM5310/RM5330/RM5380 conform afb. **15**, pagina 12 (zonder verlichting), en afb. **16**, pagina 13 (met verlichting) aan:

Pos.	Omschrijving
1	Gelijkstroom-verwarmingspatroon
2	Gelijkstroom-aansluitkabel
3	Klemmenlijst voor de gelijkstroomaansluiting van de verwarmingspatroon
4	Plusleiding van de verwarmingspatroon
5	Massaleiding van de verlichting
6	Plusleiding van de verlichting
7	Reed-contact (sensorschakelaar)
8	Galvanometer
9	Ledverlichting
10	Thermostroomadapter
11	Wisselstroom-verwarmingspatroon
12	Wisselstroom-aansluitkabel
13	Massa van de behuizing (bovendeel)

- Sluit de koelkast RM5385 aan conform afb. **17**, pagina 14:

Pos.	Omschrijving
1	Wisselstroom-verwarmingspatroon
2	Wisselstroom-aansluitkabel
3	Massa wisselstroom
4	Ionisatie
5	Contact
6	Brander
7	Gelijkstroom-verwarmingspatroon
8	Ledverlichting
9	Gasingang
10	Gasuitgang

Pos.	Omschrijving
11	Gasklep
12	Uitgang gelijkstroom
13	Toevoerleiding van de gasklep
A	Optionele aansluitingen van uitgang gelijkstroom
B	Minpool (-) gelijkstroom-continuvoeding elektronisch systeem
C	Pluspool (+) gelijkstroom-continuvoeding elektronisch systeem
D	Aansluiting D+
E	Aansluiting S+
F	Plusleiding van de verwarmingspatroon
G	Massaleiding van de verwarmingspatroon

## Wisselstroom

- Sluit de koelkast met de netstekker aan op een wisselstroomcontactdoos.

## Gelijkstroom

Neem volgende leidingdiameters in acht:

- < 6 m (in binnenruimte): 4 mm<sup>2</sup>
  - > 6 m (in binnenruimte): 6 mm<sup>2</sup>
  - Verbindingen D+ en S+: 1 mm<sup>2</sup>
  - Via dissels geleide kabels (alleen caravan): 2,5 mm<sup>2</sup>
- Beveilig de toevoerleiding naar het verwarmingselement (aansluitingen **3** en **4**) met een 15-A-zekering en de toevoerleiding voor de verlichting/elektronisch systeem (aansluitingen **5** en **6**) met een 2-A-zekering.
  - Sluit het verwarmingselement (aansluitingen **3** en **4**) met een zo kort mogelijke kabel aan.
  - Leid de toevoerleiding naar het verwarmingselement (aansluitingen **3** en **4**) via een met contactslot gestuurd relais om te voorkomen dat de accu bij onbedoeld uitgeschakelde motor compleet ontladend (afb. **18**, pagina 15).
  - **Alleen RM5385:** Sluit een gelijkstroom-continuvoeding aan op de aansluiting van de verlichting/het elektronisch systeem (aansluitingen **5** en **6**).

### D+ (alleen RM5385)

De koelkast kiest in automatische bedrijfsmodus de gunstigste bedrijfsmodus. De koelkast wordt alleen met gelijkstroom bedreven, als de motor draait. Het elektronisch systeem van de koelkast gebruikt het signaal D+ van de dynamo om het draaien van de voertuigmotor te herkennen.

- Verbind de aansluiting D+ van besturing (afb. 17 D, pagina 14) met de desbetreffende klem van het voertuig.

### S+ (alleen RM5385)

De koelkast wordt in automatische bedrijfsmodus bij voorkeur met gelijkstroom van een zonne-energie-installatie van het voertuig bedreven. Het elektronisch systeem van de koelkast gebruikt het signaal S+ van de solar-laadregeling te herkennen. De solar-laadregelaar moet over een AES-uitgang beschikken.

- Verbind de aansluiting S+ van besturing (afb. 17 E, pagina 14) met de desbetreffende klem van de solar-laadregeling.

Deze solar-laadregelingen zijn verkrijgbaar in de vakhandel.

De fabrikant raadt bijvoorbeeld aan:

- Büttner MT 300-S  
([www.buettner-elektronik.de](http://www.buettner-elektronik.de))
- Votronic MPP 240 Duo Digital  
([www.votronic.de](http://www.votronic.de))

## 10 Reiniging en onderhoud



### WAARSCHUWING!

Scheid de koelkast voor reiniging en onderhoud van het net.



### LET OP! Gevaar voor beschadiging!

- Voorkom contact van de deurafdichting met olie of vet.
- Gebruik voor het reinigen geen bijtende schoonmaakmiddelen of harde voorwerpen, de koelkast zou hierdoor beschadigd kunnen raken.

- Reinig de koelkast van binnen en buiten met een vochtige doek.
- Zorg ervoor dat de ventilatieopeningen van de koelkast vrij zijn van stof en verontreinigingen, zodat de bij gebruik ontstane warmte kan worden afgevoerd en de koelkast niet beschadigd raakt.



## 11 Garantie

De wettelijke garantieperiode is van toepassing. Als het product defect is, wendt u zich tot uw speciaalzaak of tot het filiaal van de fabrikant in uw land (adressen zie achterkant van de garantieboekje).

Stuur voor de afhandeling van reparaties of garantie volgende documenten mee:

- een kopie van de factuur met datum van aankoop,
- reden van de klacht of een beschrijving van de storing.

## 12 Afvoer

► Laat het verpakkingsmateriaal indien mogelijk recycelen.



Als u het product definitief buiten bedrijf stelt, informeer dan bij het dichtstbijzijnde recyclingcentrum of uw speciaalzaak naar de betreffende afvoervoorschriften.

## 13 Technische gegevens

	RM5310	RM5330	RM5380	RM5385
Aansluitspanning:	230 V~ 12 V===			
Brutoinhoud:	60 l	70 l	80 l	80 l
Nettoinhoud:	55 l	65 l	75 l	75 l
Aansluitwaarden:	125 W (230 V~) 120 W (12 V===) 18,3 g/h (gas)			
Vriesvak:	5 l			
Energieverbruik:	2,5 kWh/24 h (230 V) 240 Ah/24 h (12 V)			
Gasverbruik:	270 g/24 h			
Klimaatklasse:	SN			
Omgevingstemperatuur:	+10 °C tot +32 °C			
Contact:	Handmatig	Handmatig	Handmatig	Automatisch
Energiekeuze:	Handmatig	Handmatig	Handmatig	Automatisch
Afmetingen:	afb. <b>1</b> , pagina 3			
Gewicht:	20 kg	22 kg	24 kg	23 kg
Keurmerk/certificaat:	  10R-047358			



**GERMANY****Dometic WAECO International GmbH**

Hollefeldstraße 63 · D-48282 Emsdetten  
 ☎ +49 (0) 2572 879-195 · 📠 +49 (0) 2572 879-322  
 Mail: info@dometic-waeco.de

**dometic.com****AUSTRALIA****Dometic Australia Pty. Ltd.**

1 John Duncan Court  
 Varsity Lakes QLD 4227  
 ☎ 1800 212121  
 📠 +61 7 55076001  
 Mail: sales@dometic.com.au

**AUSTRIA****Dometic Austria GmbH**

Neudorferstraße 108  
 A-2353 Guntramsdorf  
 ☎ +43 2236 908070  
 📠 +43 2236 90807060  
 Mail: info@dometic.at

**BENELUX****Dometic Branch Office Belgium**

Zincstraat 3  
 B-1500 Halle  
 ☎ +32 2 3598040  
 📠 +32 2 3598050  
 Mail: info@dometic.be

**BRAZIL****Dometic DO Brasil LTDA**

Avenida Paulista 1754, conj. 111  
 SP 01310-920 Sao Paulo  
 ☎ +55 11 3251 3352  
 📠 +55 11 3251 3362  
 Mail: info@dometic.com.br

**DENMARK****Dometic Denmark A/S**

Nordensvej 15, Taulov  
 DK-7000 Fredericia  
 ☎ +45 75585966  
 📠 +45 75586307  
 Mail: info@dometic.dk

**FINLAND****Dometic Finland OY**

Mestariitie 4  
 FIN-01730 Vantaa  
 ☎ +358 20 7413220  
 📠 +358 9 7593700  
 Mail: info@dometic.fi

**FRANCE****Dometic SAS**

ZA du Pré de la Dame Jeanne  
 B.P. 5  
 F-60128 Pleilly  
 ☎ +33 3 44633525  
 📠 +33 3 44633518  
 Mail: vehiculesdeloisirs@dometic.fr

**HONG KONG****Dometic Group Asia Pacific**

Suites 2207-11 / 22/F - Tower 1  
 The Gateway - 25 Canton Road,  
 Tsim Sha Tsui - Kowloon  
 ☎ +852 2 4611386  
 📠 +852 2 4665553  
 Mail: info@waeco.com.hk

**HUNGARY****Dometic Zrt. Sales Office**

Kerekgyártó u. 5.  
 H-1147 Budapest  
 ☎ +36 1 468 4400  
 📠 +36 1 468 4401  
 Mail: budapest@dometic.hu

**ITALY****Dometic Italy S.r.l.**

Via Virgilio, 3  
 I-47122 Forlì (FC)  
 ☎ +39 0543 754901  
 📠 +39 0543 754983  
 Mail: vendite@dometic.it

**JAPAN****Dometic KK**

Maekawa-Shibaura, Bldg. 2  
 2-13-9 Shibaura Minato-ku  
 Tokyo 108-0023  
 ☎ +81 3 5445 3333  
 📠 +81 3 5445 3339  
 Mail: info@dometic.jp

**MEXICO****Dometic Mx, S. de R. L. de C. V.**

Circuito Médicos No. 6 Local 1  
 Colonia Ciudad Satélite  
 CP 53100 Naucalpan de Juárez  
 Estado de México  
 ☎ +52 55 5374 4108  
 📠 +52 55 5393 4683  
 Mail: info@dometic.com.mx

**NETHERLANDS****Dometic Benelux B.V.**

Ecustraat 3  
 NL-4879 NP Etten-Leur  
 ☎ +31 76 5029000  
 📠 +31 76 5029019  
 Mail: info@dometic.nl

**NEW ZEALAND****Dometic New Zealand Ltd.**

PO Box 12011  
 Penrose  
 Auckland 1642  
 ☎ +64 9 622 1490  
 📠 +64 9 622 1573  
 Mail: customerservices@dometic.co.nz

**NORWAY****Dometic Norway AS**

Østerøyveien 46  
 N-3232 Sandefjord  
 ☎ +47 33428450  
 📠 +47 33428459  
 Mail: firmapost@dometic.no

**POLAND****Dometic Poland Sp. z o.o.**

Ul. Puławska 435A  
 PL-02-801 Warszawa  
 ☎ +48 22 414 3200  
 📠 +48 22 414 3201  
 Mail: info@dometic.pl

**PORTUGAL****Dometic Spain, S.L.**

Branch Office em Portugal  
 Rot. de São Gonçalo nº 1 – Esc. 12  
 2775-399 Carcavelos  
 ☎ +351 219 244 173  
 📠 +351 219 243 206  
 Mail: info@dometic.pt

**RUSSIA****Dometic RUS LLC**

Komsomolskaya square 6-1  
 RU-107140 Moscow  
 ☎ +7 495 780 79 39  
 📠 +7 495 916 56 53  
 Mail: info@dometic.ru

**SINGAPORE****Dometic Pte Ltd**

18 Boon Lay Way 06-140 Trade Hub 21  
 Singapore 609966  
 ☎ +65 6795 3177  
 📠 +65 6862 6620  
 Mail: dometic@dometic.com.sg

**SLOVAKIA****Dometic Slovakia s.r.o. Sales Office Bratislava**

Nádražná 34/A  
 900 28 Ivanka pri Dunaji  
 ☎/📠 +421 2 45 529 680  
 Mail: bratislava@dometic.com

**SOUTH AFRICA****Dometic (Pty) Ltd.****Regional Office****South Africa & Sub-Saharan Africa**

2 Avalon Road  
 West Lake View Ext 11  
 Modderfontein 1645  
 Johannesburg  
 ☎ +27 11 4504978  
 📠 +27 11 4504976  
 Mail: info@dometic.co.za

**SPAIN****Dometic Spain S.L.**

Avda. Sierra del Guadarrama, 16  
 E-28691 Villanueva de la Cañada  
 Madrid  
 ☎ +34 91 833 60 89  
 📠 +34 900 100 245  
 Mail: info@dometic.es

**SWEDEN****Dometic Scandinavia AB**

Gustaf Melins gata 7  
 S-42131 Västra Frölunda  
 ☎ +46 31 7341100  
 📠 +46 31 7341101  
 Mail: info@dometicgroup.se

**SWITZERLAND****Dometic Switzerland AG**

Riedackerstrasse 7a  
 CH-8153 Rümlang  
 ☎ +41 44 8187171  
 📠 +41 44 8187191  
 Mail: info@dometic.ch

**UNITED ARAB EMIRATES****Dometic Middle East FZCO**

P. O. Box 17860  
 S-D 6, Jebel Ali Freezone  
 Dubai  
 ☎ +971 4 883 3858  
 📠 +971 4 883 3868  
 Mail: info@dometic.ae

**UNITED KINGDOM****Dometic UK Ltd.**

Dometic House, The Brewery  
 Blandford St. Mary  
 Dorset DT11 9LS  
 ☎ +44 344 626 0133  
 📠 +44 344 626 0143  
 Mail: customerservices@dometic.co.uk

**USA****Dometic RV Division**

1120 North Main Street  
 Elkhart, IN 46515  
 ☎ +1 574-264-2131